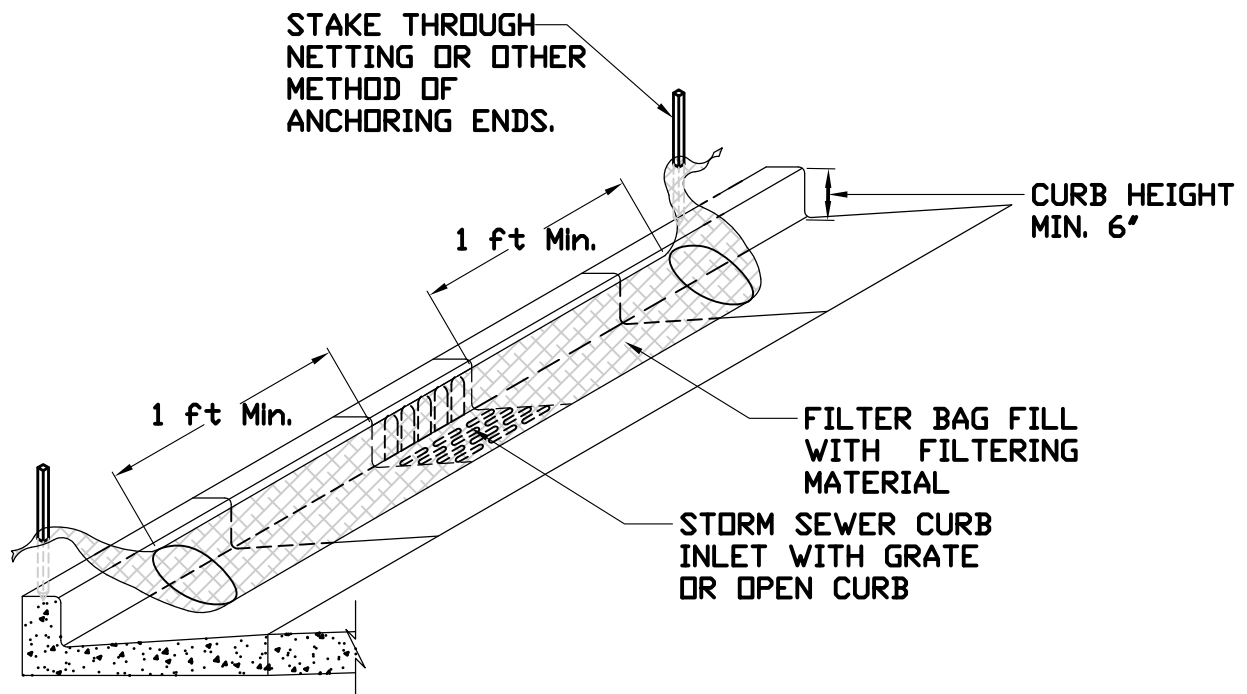


INLET PROTECTION - PAVED AREAS CURB PROTECTION



REFERENCE

Project	_____
Designed	_____ Date _____
Checked	_____ Date _____
Approved	_____ Date _____



STANDARD DWG. NO.

IUM-561C

SHEET 1 OF 1

DATE 01-11-11