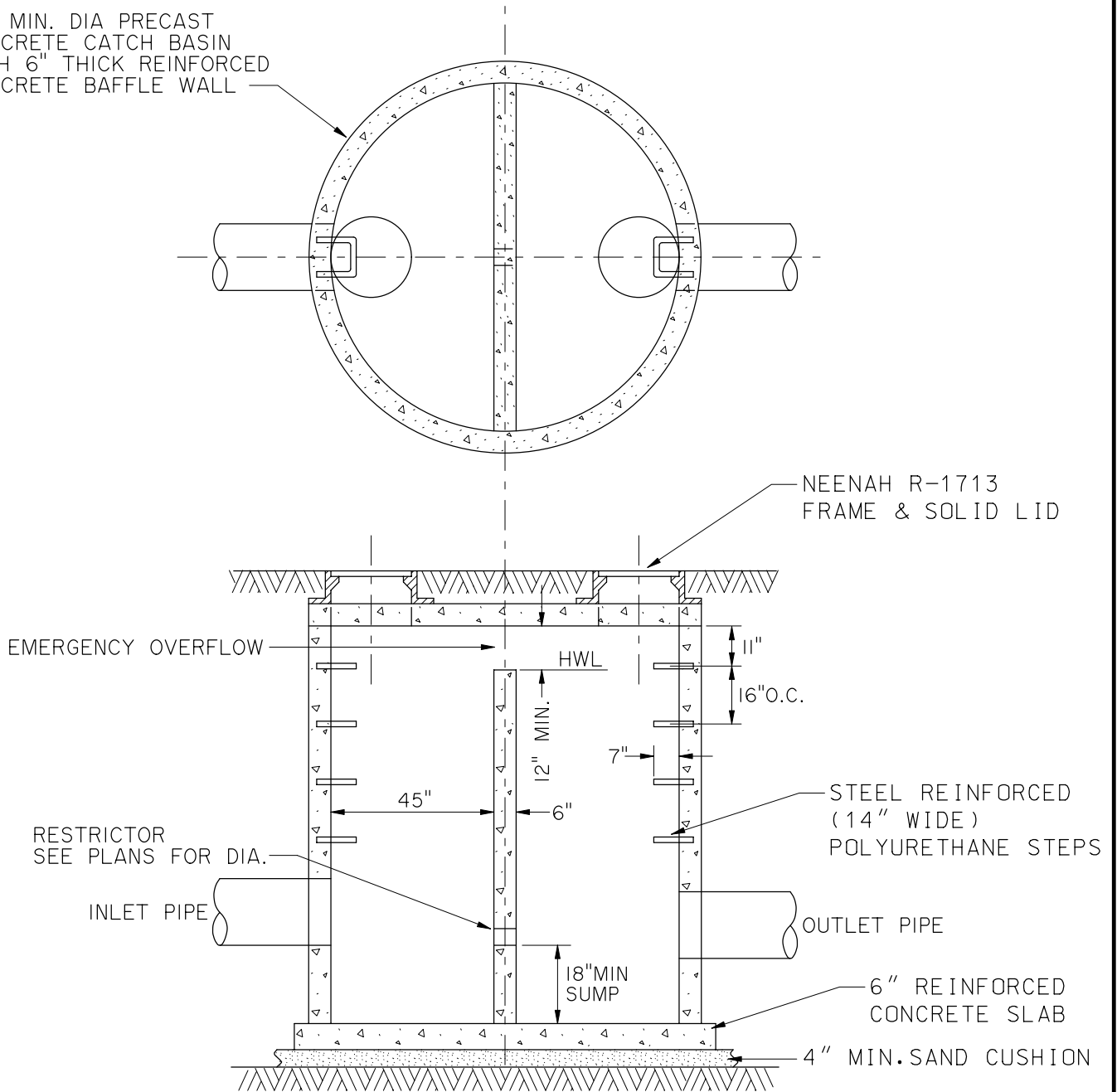


# RESTRICTOR STRUCTURE

96" MIN. DIA PRECAST  
CONCRETE CATCH BASIN  
WITH 6" THICK REINFORCED  
CONCRETE BAFFLE WALL



## NOTES:

1. RESTRICTOR SIZE TO BE APPROVED BY THE CITY ENGINEER.
2. MANHOLES MUST CONFORM TO ASTM C-478.
3. MANHOLE SECTIONS TO BE TONGUE AND GROOVED.
4. NON-PRECAST OPENINGS SHALL BE CORED AND RUBBER BOOTED.
5. MORTAR ALL PIPE PENETRATIONS INSIDE AND OUTSIDE OF STRUCTURE.
6. IN "SUBMERGED" CONDITIONS, ALL PIPE PENETRATIONS TO BE CORED, RUBBER BOOTED AND INTERIOR MORTARED.

NOT TO SCALE

RESTRICTOR  
STRUCTURE

DATE: 10-25-11