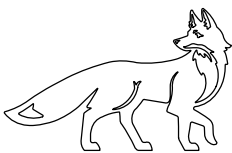
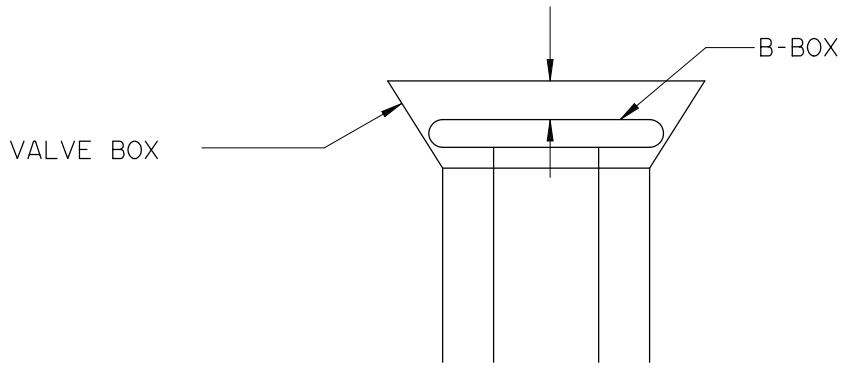


DETAIL "A"

2" MINIMUM CLEARANCE
FROM TOP OF B-BOX
TO TOP OF VALVE BOX



CITY OF ST. CHARLES
ILLINOIS • SINCE 1834
Pride of the Fox

BUFFALO BOX IN PAVED AREA

DATE: 5-12-2021

NOT TO SCALE

REVISED:

DRAWING NO. B-05