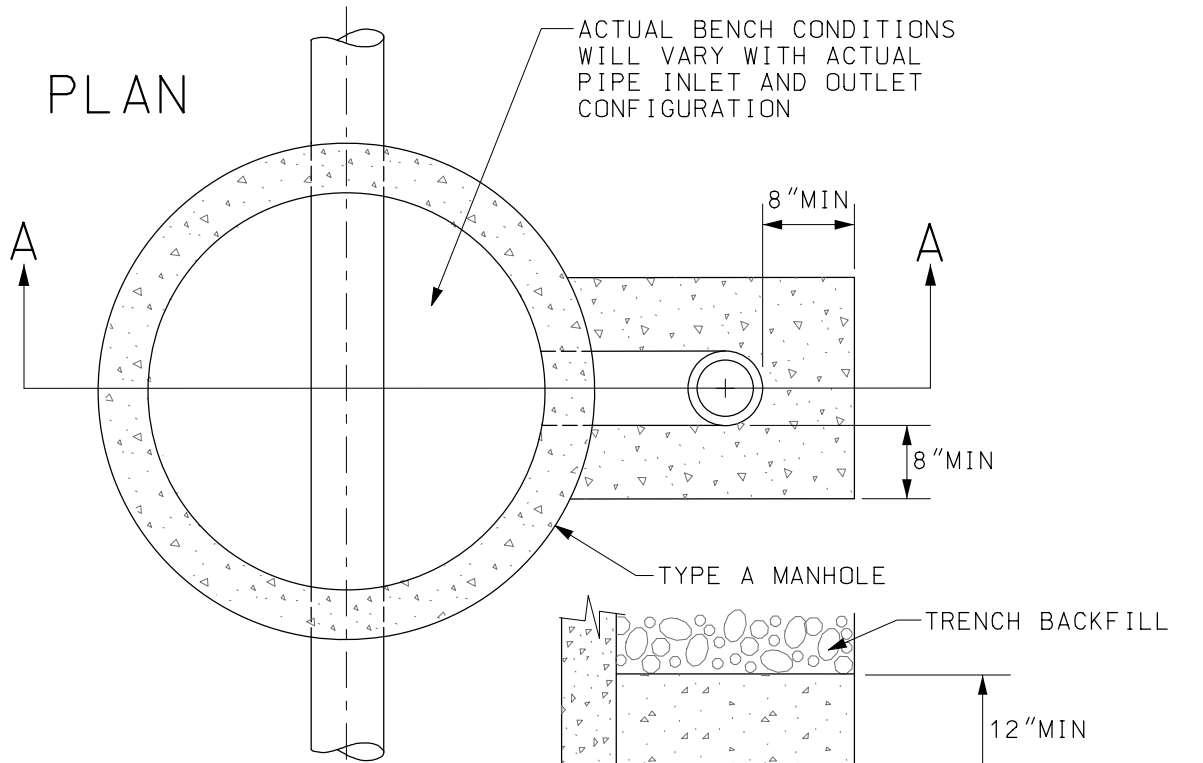
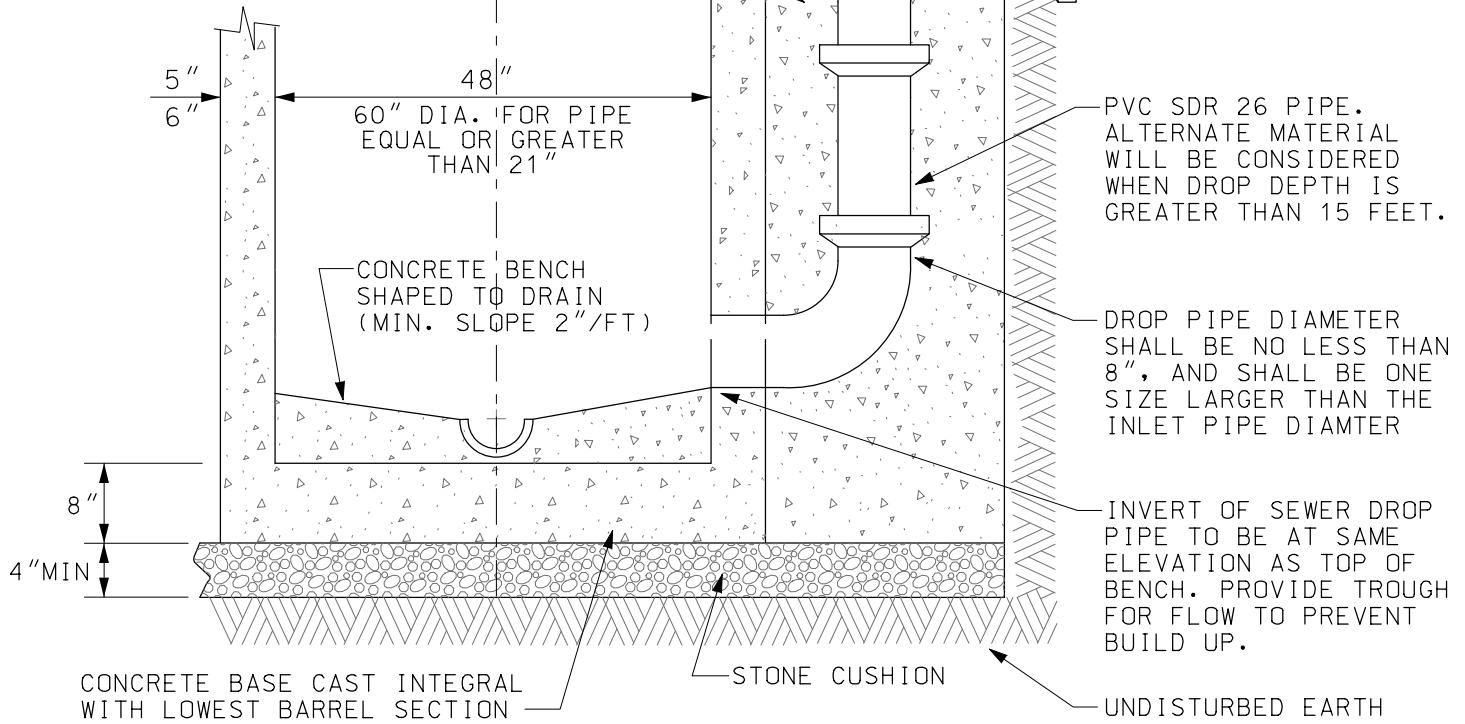


PLAN

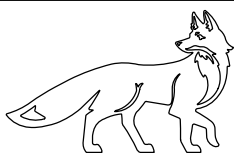


SECTION A-A



NOTES:

1. DROP MANHOLE WILL BE REQUIRED WHERE DIFFERENCE BETWEEN INVERT ELEVATION OF INLET AND DOWNSTREAM PIPE IS GREATER THAN 12".
2. NON-PRECAST OPENINGS SHALL BE CORED AND RUBBER BOOTED.



CITY OF ST. CHARLES
ILLINOIS • SINCE 1834
Pride of the Fox

DROP MANHOLE - NEW STRUCTURE

DATE: 5-12-2021

NOT TO SCALE

REVISED:

DRAWING NO. A-02