

**INLET: GASKETED BELL - SDR-26 PVC**

Base Casting is ASTM A-48 Class 30 Cast Iron  
(Various Contours available to fit 6.275" - 30.00" O.D. Mains)

PVC Adapter is a Gasketed Bell to accept SDR-26 PVC (Hvy. wall sewer)

Adapter is cemented permanently in place with two-part urethane adhesive

Base of Saddle is dip-coated in a Waterbased Bituminous Coating

Strap is 24 ga. x 2.5" wide Type 304 Stainless Steel

Strap Pins are .75" dia. Type 303 Stainless Steel

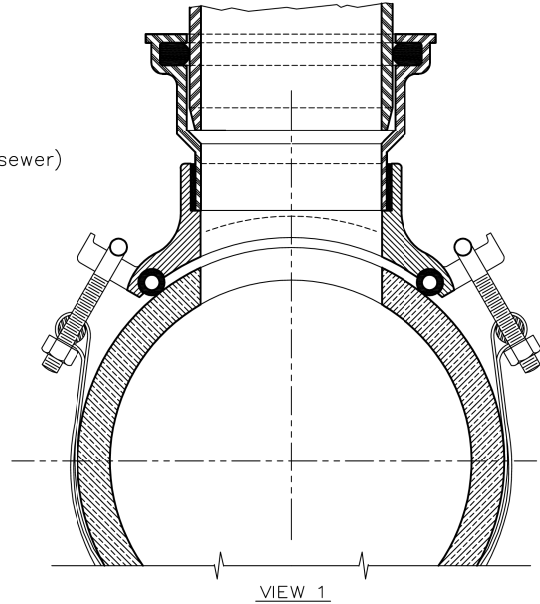
T-Bolts are .375" - 16 Type 304 Stainless Steel

Nuts and Washers are Type 18-8 Stainless Steel

O-Ring is ASTM C-361-77 Tubular Polyisoprene

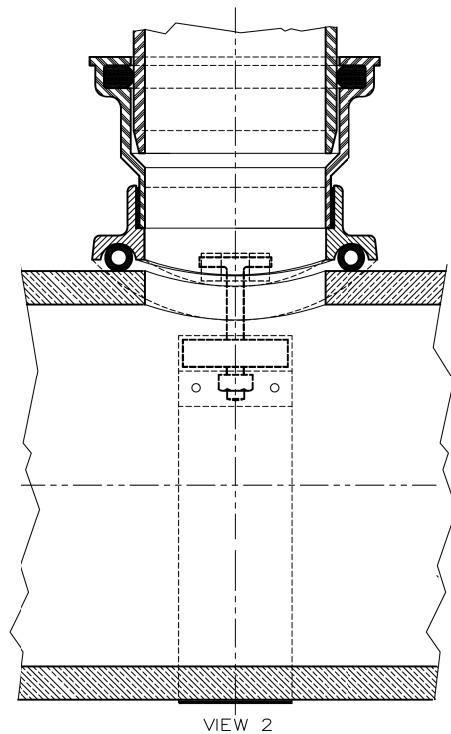
4" inlet requires a 4" dia. Tap in the Sewer Main

6" inlet requires a 6" dia. Tap in the Sewer Main  
(Sewer Main must be at least 8" dia.)

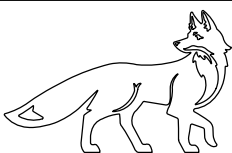


**NOTE :**

1. SADDLE IS ONLY ALLOWED TO CONNECT TO CITY STORM SEWER,



**Type "PVC/U" Model "26"**  
**SEALTITE TEE® Gravity Sewer Saddle**



**CITY OF ST. CHARLES**  
**ILLINOIS • SINCE 1834**  
*Pride of the Fox*

**GRAVITY SEWER SADDLE**

DATE: 9-10-2021

NOT TO SCALE

REVISED:

DRAWING NO. D-07