



AGENDA ITEM EXECUTIVE SUMMARY

Agenda Item number: 5.a

Title: Presentation of St. Charles Bob Leonard Walkway Memorial Planter Plaque Program by the River Corridor Foundation

Presenter: Chris Adesso/John Rabchuk

Meeting: Government Services Committee

Date: October 23, 2017

Proposed Cost: N/A

Budgeted Amount: N/A

Not Budgeted:

Executive Summary (if not budgeted please explain):

The River Corridor Foundation (RCF) will be presenting the details of a new fundraising program they would like to engage in called the Memorial Planter Plaque Program. The RCF will be soliciting donations from donors in exchange for a memorial plaque which will be placed on the concrete planter(s) adjacent to the If I Could but Fly sculpture along the Bob Leonard Walk, just east of the Brownstones.

Details of the size and location of the plaques are included in the Mock-up attachment(s) to this agenda item.

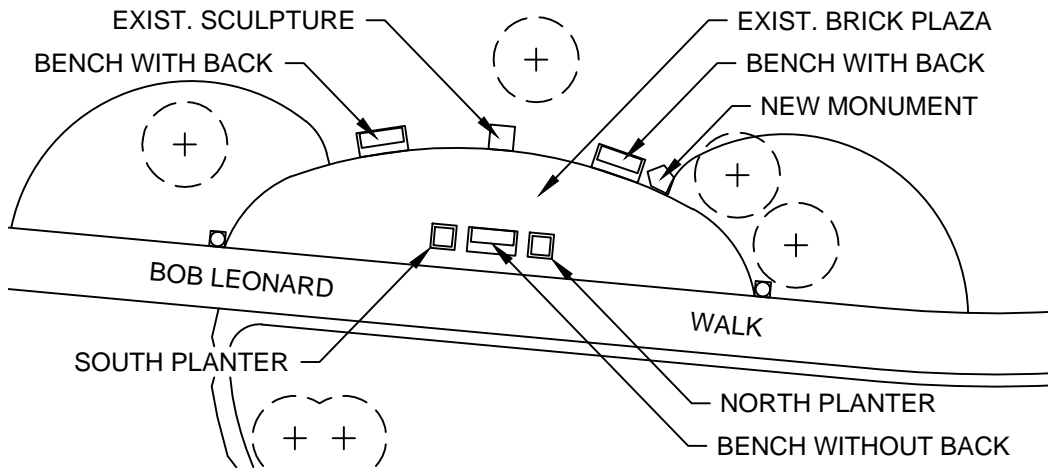
In addition, the RCF would like to request permission to install “marketing” signage along the Bob Leonard Walk to raise awareness for the existing Memorial Brick Program and the future Memorial Plaque program. Details of the locations of the proposed signs and a description of the information that will be displayed on the signs will be provided by Mr. John Rabchuk during the presentation.

Attachments (please list):

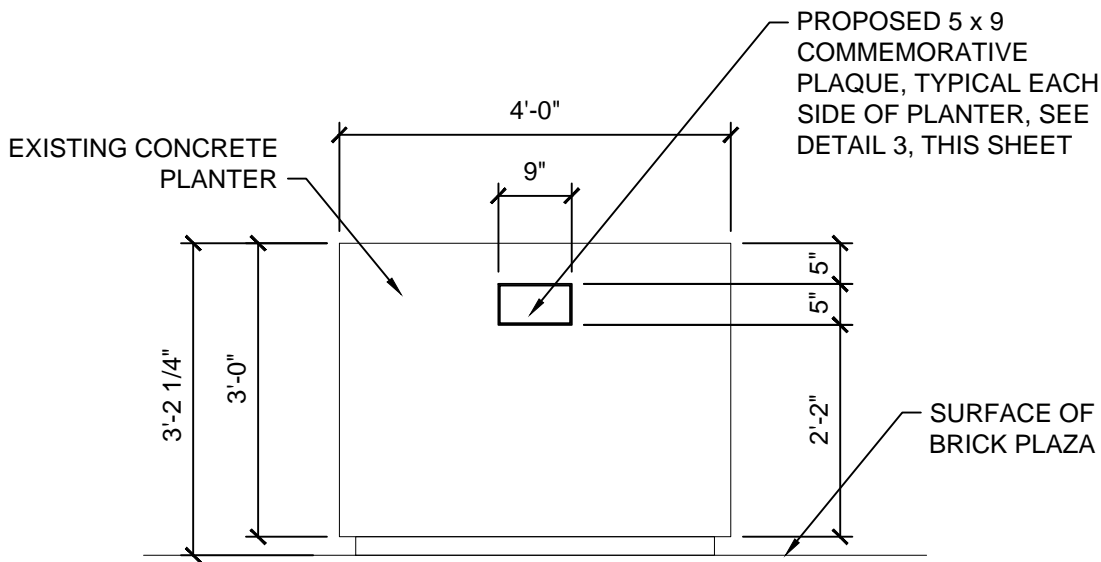
*Mock-up of Plaque locations

Recommendation/Suggested Action (briefly explain):

Recommendation to approve the Memorial Plaque Program and Marketing Signs for the River Corridor Foundation of St. Charles.

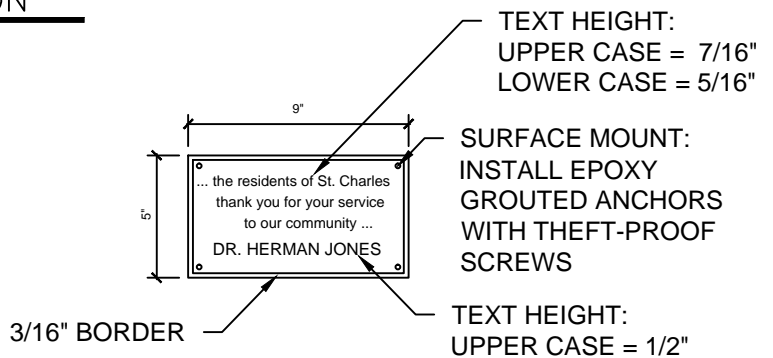


1 PLANTER LOCATION PLAN
 1/32" = 1'-0"



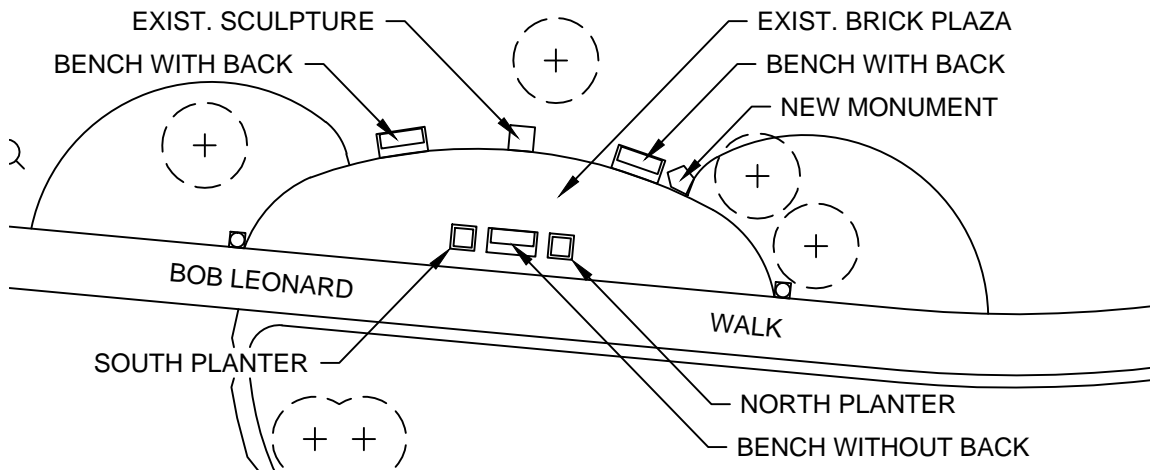
- SUMMARY OF PLAQUE SIZES AT MOUNT ST. MARY PARK:**
- 4" x 6"
 - 4" x 12"
 - 5" x 8"
 - 5" x 9"
 - 8" x 10"
 - 10" x 12"
- SUMMARY OF PLAQUE SIZES ALONG BOB LEONARD WALK**
- 5" x 9"

2 TYPICAL PLANTER ELEVATION
 1/2" = 1'-0"

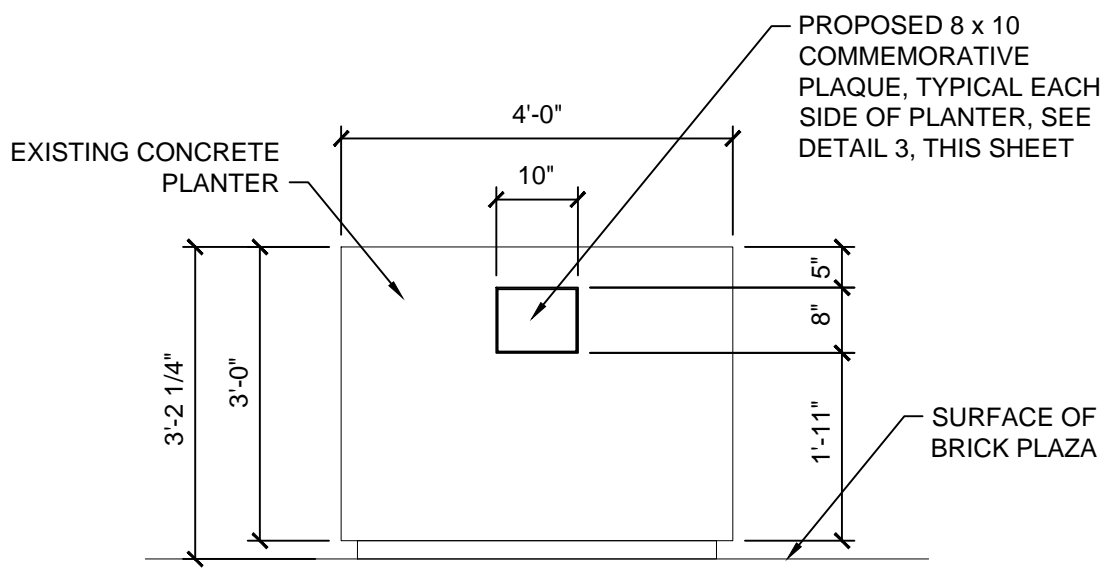


3 TYPICAL 5" x 9" PLAQUE
 1-1/2" = 1'-0"

RIVER CORRIDOR FOUNDATION OF ST. CHARLES	Subject: PROPOSED PLANTER PLAQUES	Date: 9/07/17	Revision:	Sketch No.: OPTION 'A'
	Project: BOB LEONARD WALK	Scale: SEE PLAN	Drawing No.:	

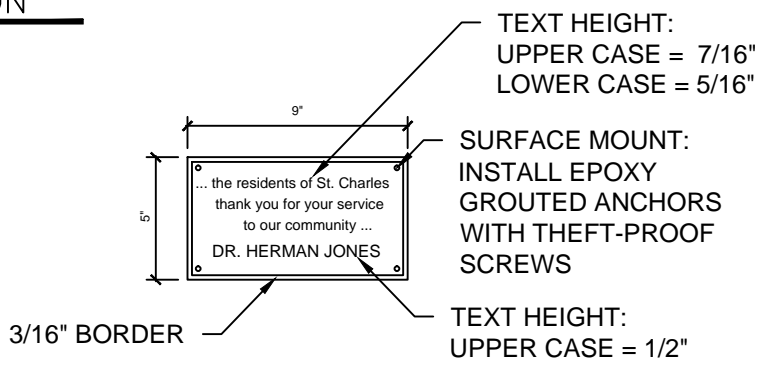


1 PLANTER LOCATION PLAN
 1/32" = 1'-0"



- SUMMARY OF PLAQUE SIZES AT MOUNT ST. MARY PARK:**
- 4" x 6"
 - 4" x 12"
 - 5" x 8"
 - 5" x 9"
 - 8" x 10"
 - 10" x 12"
- SUMMARY OF PLAQUE SIZES ALONG BOB LEONARD WALK**
- 5" x 9"

2 TYPICAL PLANTER ELEVATION
 1/2" = 1'-0"



3 TYPICAL 8" x 10" PLAQUE
 1-1/2" = 1'-0"

RIVER CORRIDOR FOUNDATION OF ST. CHARLES	Subject: PROPOSED PLANTER PLAQUES	Date: 9/07/17	Revision:	OPTION 'B'
	Project: BOB LEONARD WALK	Scale: SEE PLAN	Project No.:	