

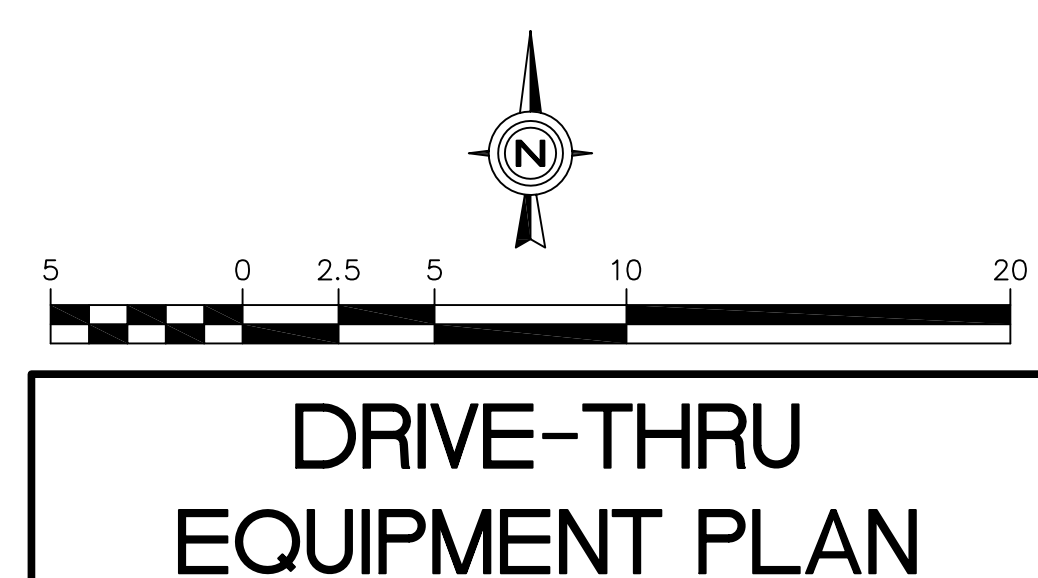
GENERAL NOTES:

1. THE LOCATION AND ORIENTATION OF MENU BOARDS WERE DETERMINED BY THE SIGHT LINES OF THE CARS. THE CARS WERE POSITIONED ACCORDING TO THE MAX. AMOUNT OF CARS DURING A PEAK PERIOD. ALL DIMENSIONS SHOWN ARE BASED UPON PROTOTYPICAL LAYOUTS SHOWN. ACTUAL DIMENSIONS TO BE BASED ON SITE SPECIFIC CONFIGURATIONS AND THE REQUIREMENTS OF NOTE 2.
2. MENU BOARD IS ORIENTATED FOR VIEWING BY CAR 5 (PRIMARY USER) AND CAR 4 (SECONDARY USER).
3. PROVIDE TWO CIRCUITS FOR MENU BOARD AND PRE-SELL BOARDS. ONE CIRCUIT FOR LIGHTS AND ONE CIRCUIT WITH LOCK FOR MOTOR AND CONTROLLER. REFER TO SHEET E1 FOR TERMINATION OF CONDUIT RUNS INSIDE BUILDING.
4. ALL GALVANIZED ANCHOR BOLTS TO BE SUPPLIED AND INSTALLED BY THE CONTRACTOR.
5. PLACEMENT NOTE: THE PLACEMENT OF THE CUSTOMER ORDER DISPLAY SHOULD BE SUCH THAT IT DOES NOT BLOCK THE VIEWING OF THE MENU BOARD FROM THE DRIVER'S VANTAGE POINT.
6. VERIFICATION NOTE: VERIFY ALL DRIVE-THRU EQUIPMENT WITH McDONALD'S PROJECT MANAGER AND OPERATIONS MANAGER BEFORE PROCEEDING.
7. THE REGIONAL CONSTRUCTION MANAGER IS TO REVIEW AND APPROVE ALL DRIVE-THRU LAYOUTS. A DRIVE-THRU IS FINAL, AND CONSIDERED "RED", ONCE APPROVED. NO CHANGES ARE TO BE MADE AFTER THIS POINT.
8. DUE TO THE EXACT GEOMETRY REQUIRED FOR THE EFFICIENT OPERATION OF THIS DRIVE-THRU LAYOUT, IT IS RECOMMENDED THAT ALL DRIVE-THRU EQUIPMENT AND PAVEMENT IMPROVEMENTS TO BE FIELD LOCATED BY A LICENSED SURVEYOR.
9. THE PLACEMENT OF THE CODs AND ANY ADDITIONAL SIGNAGE SHOULD BE SUCH THAT IT PREVENTS, OR MINIMIZES, BLOCKING THE CUSTOMER'S VIEW OF THE MENU BOARD WHILE ORDERING.
10. THESE DIMENSIONS ARE CRITICAL TO THE FUNDAMENTAL LAYOUT OF THE SIDE BY SIDE DESIGN.
11. IF DIMENSIONS ARE MODIFIED CONTACT DESIGN ENGINEER IMMEDIATELY.
12. VERIFY WITH SUPPLIER OF DRIVE-THRU EQUIPMENT THAT MOST CURRENT EQUIPMENT IS BEING UTILIZED.

COORDINATES			
Equipment	X	Y	DESCRIPTION
1	0.00'	0.00'	CRITICAL STARTING POINT FOR ALL COORDINATES
2	14.88'	23.48'	TO CENTER OF FOUNDATION OF PRIMARY LANE SINGLE POLE CANOPY WITH INTEGRATED MENU BOARD
3	17.67'	24.58'	TO CENTER OF FOUNDATION OF OPO MENU BOARD
4	34.84'	16.63'	TO CENTER OF FOUNDATION OF OPO MENU BOARD
5	40.61'	22.73'	TO CENTER OF FOUNDATION OF SECONDARY LANE DRIVE-THRU TWIN POLE CANOPY
6	30.47'	36.49'	TO CENTER OF BOLLARD SIGN
7	-0.51'	37.56'	TO CENTER OF FOUNDATION OF SINGLE WELCOME POINT GATEWAY SIGN
8	-4.58'	37.08'	TO CENTER OF FOUNDATION OF OPO PREVIEW BOARD

1
DT-2
DRIVE-THRU APPROACH
1" = 5'-0"

1 PRIMARY DRIVE-THRU LANE
2 SECONDARY DRIVE-THRU LANE



DATE: 04/29/13
REVISED: PER CITY REVIEW LETTER DATED 04.04.13
NO. 1

Prepared For:
Lingle Design Group
158 W. Main Street
Lena, IL 61048

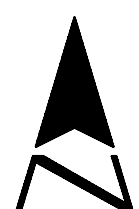
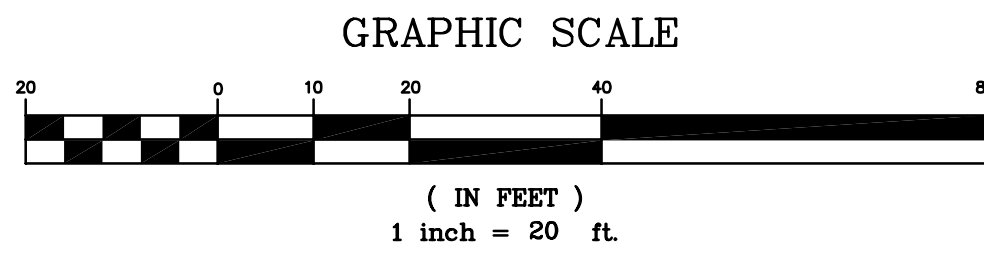
McDONALD'S - ST. CHARLES, IL
3900 E. Main Street
St. Charles, Illinois

Prepared By:
Watermark Engineering Resources, Ltd
2637 Ginger Woods Parkway, Suite 100, Aurora, IL 60502
phone 630-375-1800 fax 630-236-9600 www.watermark-engineering.com

CHECKED BY: J. MILLER
DESIGN BY: M. BAILEY
DRAWN BY: D. OLSON
DATE: MARCH 22, 2013
SCALE: 1" = 5'
PROJECT NO.: 05-100.01

DT-2
LC #12-1700

DRIVE-THRU EQUIPMENT PLAN



BOUNDARY AND TOPOGRAPHIC SURVEY

BY
GENTILE AND ASSOCIATES, INC.
 PROFESSIONAL LAND SURVEYORS

550 E. ST. CHARLES PLACE
 LOMBARD, ILLINOIS 60148
 PHONE : (630) 916-6262
 FAX : (630) 916-6264

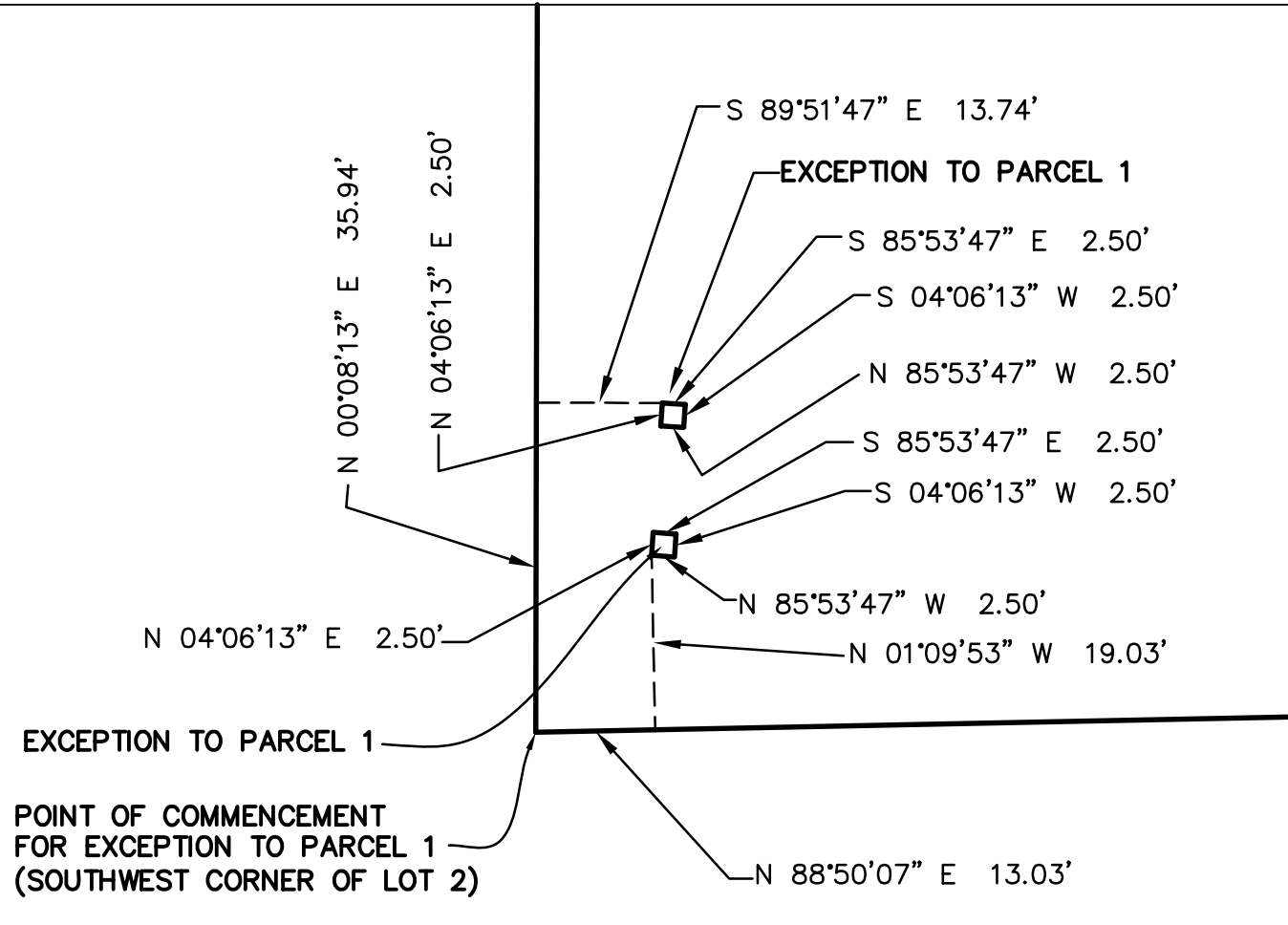
PARCEL 1:
 LOT 2 IN WAL-MART SUBDIVISION IN PART OF THE NORTHWEST 1/4 OF SECTION 30, TOWNSHIP 40 NORTH, RANGE 9 EAST OF THE THIRD PRINCIPAL MERIDIAN, BEING A SUBDIVISION OF LOTS 1, 2, 3 AND PART OF LOT 13 OF PETRAUSKAS' SUBDIVISION, EXCEPTING THEREFROM THAT PART OF SAID LOT 2 DESCRIBED AS FOLLOWS: COMMENCING AT THE SOUTHWEST CORNER OF SAID LOT 2; THENCE NORTH 88 DEGREES 50 MINUTES 07 SECONDS EAST ALONG THE SOUTH LINE OF SAID LOT 2, 13.03 FEET; THENCE NORTH 01 DEGREES 09 MINUTES 53 SECONDS WEST, 19.03 FEET TO THE SOUTHWEST CORNER OF AN EXISTING SIGN BASE FOR THE POINT OF BEGINNING; THENCE NORTH 04 DEGREES 08 MINUTES 13 SECONDS EAST, 2.50 FEET; THENCE SOUTH 85 DEGREES 53 MINUTES 47 SECONDS EAST, 2.50 FEET; THENCE SOUTH 04 DEGREES 06 MINUTES 13 SECONDS WEST 2.50 FEET; THENCE NORTH 85 DEGREES 53 MINUTES 47 SECONDS WEST, 2.50 FEET; THENCE SOUTH 04 DEGREES 06 MINUTES 13 SECONDS EAST, 2.50 FEET TO THE POINT OF BEGINNING, ALSO EXCEPTING THEREFROM THAT PART OF SAID LOT 2 DESCRIBED AS FOLLOWS: COMMENCING AT THE SOUTHWEST CORNER OF SAID LOT 2; THENCE NORTH 00 DEGREES 08 MINUTES 13 SECONDS EAST, 2.50 FEET; THENCE SOUTH 85 DEGREES 53 MINUTES 47 SECONDS EAST, 2.50 FEET; THENCE SOUTH 04 DEGREES 06 MINUTES 13 SECONDS WEST 2.50 FEET TO THE NORTHWEST CORNER OF AN EXISTING SIGN BASE FOR THE POINT OF BEGINNING; THENCE SOUTH 04 DEGREES 06 MINUTES 13 SECONDS WEST, 2.50 FEET; THENCE SOUTH 85 DEGREES 53 MINUTES 47 SECONDS EAST, 2.50 FEET; THENCE SOUTH 04 DEGREES 06 MINUTES 13 SECONDS WEST, 2.50 FEET TO THE POINT OF BEGINNING, IN DUPAGE COUNTY, ILLINOIS.

PARCEL 2:
 NON-EXCLUSIVE EASEMENT RESERVED AND GRANTED FOR THE BENEFIT OF OWNER OF PARCEL 1, UPON, ACROSS, OVER AND THROUGH THE AREA SHOWN AS "INGRESS AND EGRESS EASEMENT" ON WAL-MART SUBDIVISION RECORDED AS DOCUMENT R92-165313.

CONTAINING TOTAL AREA: 61,482.68 Sq Ft (1.41 Ac.)

PROPERTY IS LOCATED ON THE NORTHEAST CORNER OF NORTH AVENUE AND SMITH ROAD, ST. CHARLES, IL.

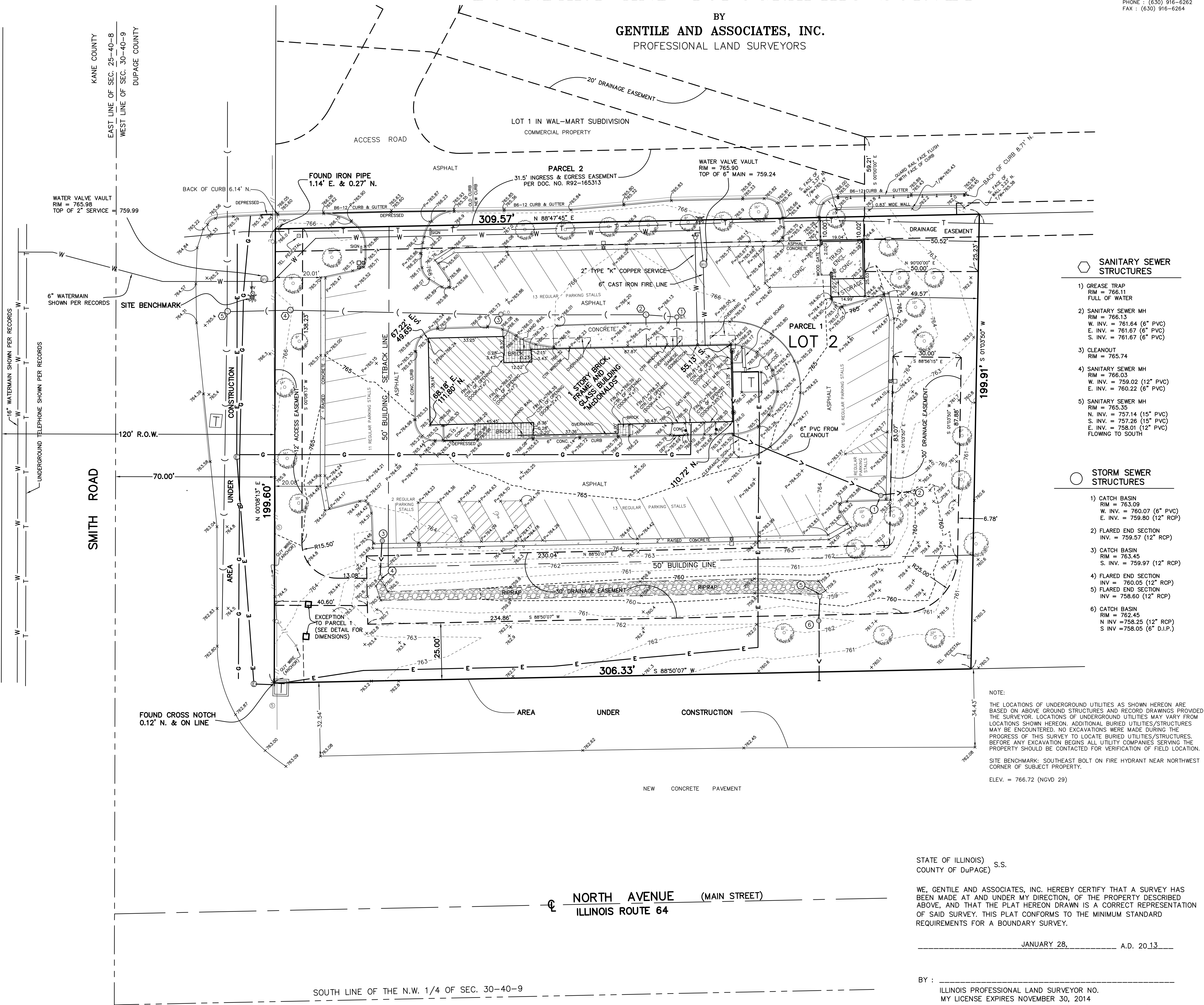
- LEGEND**
- ☐ LIGHT STANDARD
 - SIGN POST
 - ⊕ FIRE HYDRANT
 - ⊙ CLOSED COVER DRAINAGE STRUCTURE
 - ⊙ OPEN COVER DRAINAGE STRUCTURE
 - ⊙ CURB INLET/CATCH BASIN
 - ⊙ SANITARY SEWER MANHOLE
 - ⊙ GREASE TRAP
 - ⊙ CLEANOUT
 - ⊙ WATER SHUTOFF VALVE WITH 8" CASING
 - BOLLARD
 - VEHICLE HEIGHT CONTROL SIGN
 - ⊙ CLEANOUT FOR DOWNSPOUT
 - ⊙ TELEPHONE PEDESTAL
 - ⊙ TRANSFORMER
 - ⊙ ELECTRIC SERVICE VAULT
 - ⊙ WATER SERVICE SHUTOFF VALVE
 - STORM SEWER
 - SANITARY SEWER
 - GAS MAIN
 - WATER MAIN
 - UNDERGROUND ELECTRIC
 - UNDERGROUND TELEPHONE
- XXXX.X GROUND ELEVATION
 XXXX.XX PAVEMENT ELEVATION
 FIN/FL = FINISHED FLOOR ELEVATION
 T/FDN = TOP OF FOUNDATION ELEVATION
 DEP. = DEPRESSED



DETAIL FOR EXCEPTION TO PARCEL 1

BASE SCALE : 1 INCH = 20 FEET
 DISTANCES ARE MARKED IN FEET AND DECIMAL PARTS THEREOF
 ORDERED BY : WATERMARK ENGINEERING RESOURCES
 CHECKED BY : MMG
 SURVEYED BY : JG-LR
 COMPARE ALL POINTS BEFORE BUILDING BY SAME AND AT ONCE REPORT ANY DIFFERENCE. FOR BUILDING LINE AND OTHER RESTRICTIONS NOT SHOWN HEREON REFER TO YOUR ABSTRACT DEED, CONTRACT AND ZONING ORDINANCE.

ORDER NO. 95-14463-13TOPO
 LC. # 12-1700, McDONALD'S, 3900 E. MAIN STREET, ST. CHARLES



SANITARY SEWER STRUCTURES

- 1) GREASE TRAP
 RIM = 766.11
 FULL OF WATER
- 2) SANITARY SEWER MH
 RIM = 766.13
 W. INV. = 761.64 (6" PVC)
 E. INV. = 761.67 (6" PVC)
 S. INV. = 761.67 (6" PVC)
- 3) CLEANOUT
 RIM = 765.74
- 4) SANITARY SEWER MH
 RIM = 766.03
 W. INV. = 759.02 (12" PVC)
 E. INV. = 760.22 (6" PVC)
- 5) SANITARY SEWER MH
 RIM = 765.35
 N. INV. = 757.14 (15" PVC)
 S. INV. = 757.26 (15" PVC)
 E. INV. = 758.01 (12" PVC)
 FLOWING TO SOUTH

STORM SEWER STRUCTURES

- 1) CATCH BASIN
 RIM = 763.09
 W. INV. = 760.07 (6" RCP)
 E. INV. = 759.80 (12" RCP)
- 2) FLARED END SECTION
 INV. = 759.57 (12" RCP)
- 3) CATCH BASIN
 RIM = 763.45
 W. INV. = 759.97 (12" RCP)
- 4) FLARED END SECTION
 INV. = 760.05 (12" RCP)
- 5) FLARED END SECTION
 INV. = 758.60 (12" RCP)
- 6) CATCH BASIN
 RIM = 762.45
 N. INV. = 758.25 (12" RCP)
 S. INV. = 758.05 (6" D.I.P.)

NOTE:
 THE LOCATIONS OF UNDERGROUND UTILITIES AS SHOWN HEREON ARE BASED ON ABOVE GROUND STRUCTURES AND RECORD DRAWINGS PROVIDED THE SURVEYOR. LOCATIONS OF UNDERGROUND UTILITIES MAY VARY FROM LOCATIONS SHOWN HEREON. ADDITIONAL BURIED UTILITIES/STRUCTURES MAY BE ENCOUNTERED. NO EXCAVATIONS WERE MADE DURING THE PROGRESS OF THIS SURVEY TO LOCATE BURIED UTILITIES/STRUCTURES. BEFORE ANY EXCAVATION BEGINS ALL UTILITY COMPANIES SERVING THE PROPERTY SHOULD BE CONTACTED FOR VERIFICATION OF FIELD LOCATION.
 SITE BENCHMARK: SOUTHEAST BOLT ON FIRE HYDRANT NEAR NORTHWEST CORNER OF SUBJECT PROPERTY.
 ELEV. = 766.72 (NGVD 29)

STATE OF ILLINOIS) S.S.
 COUNTY OF DuPAGE)

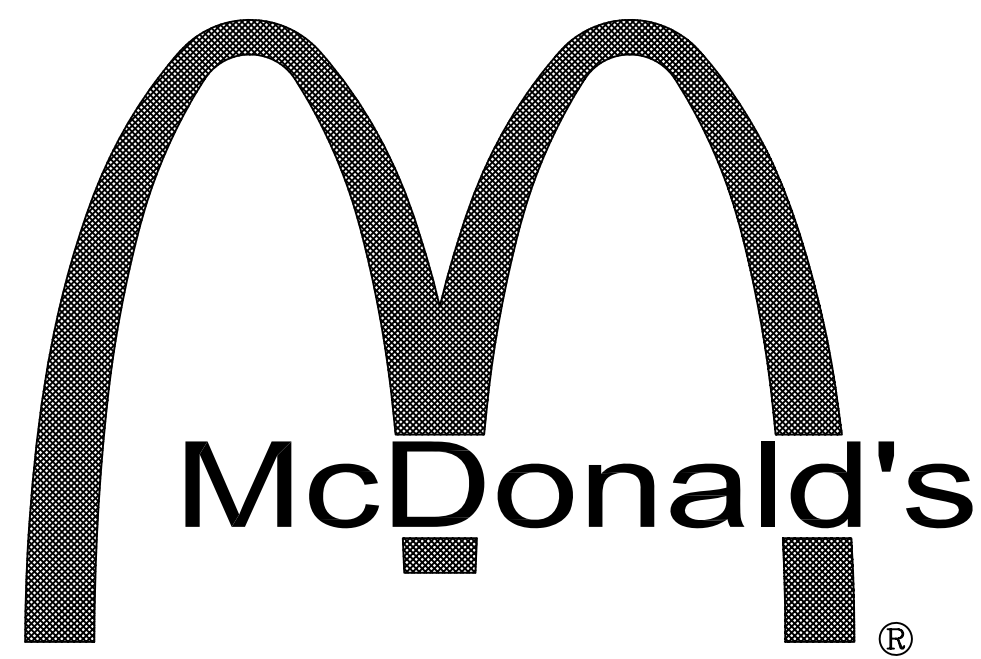
WE, GENTILE AND ASSOCIATES, INC. HEREBY CERTIFY THAT A SURVEY HAS BEEN MADE AT AND UNDER MY DIRECTION, OF THE PROPERTY DESCRIBED ABOVE, AND THAT THE PLAT HEREON DRAWN IS A CORRECT REPRESENTATION OF SAID SURVEY. THIS PLAT CONFORMS TO THE MINIMUM STANDARD REQUIREMENTS FOR A BOUNDARY SURVEY.

JANUARY 28, A.D. 2013

BY :
 ILLINOIS PROFESSIONAL LAND SURVEYOR NO.
 MY LICENSE EXPIRES NOVEMBER 30, 2014
 ILLINOIS PROFESSIONAL DESIGN FIRM LICENSE NO. 184-002870

☐ NORTH AVENUE (MAIN STREET)
 ILLINOIS ROUTE 64

SOUTH LINE OF THE N.W. 1/4 OF SEC. 30-40-9



McDonald's

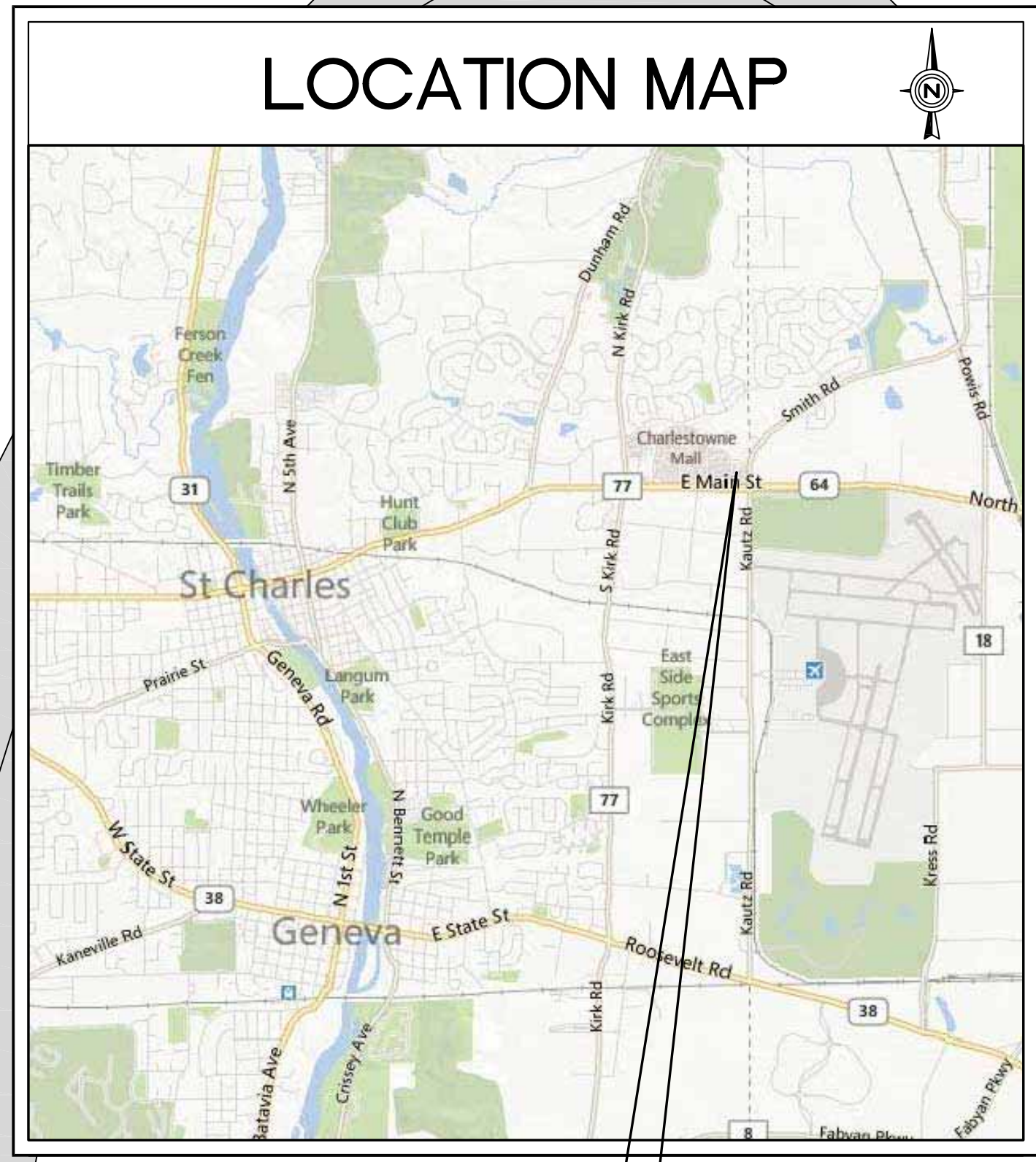
McDONALD'S - ST. CHARLES, IL

FINAL ENGINEERING PLANS

FOR

AT
 3900 E. MAIN STREET
 CITY OF ST. CHARLES
 DuPAGE COUNTY, ILLINOIS

INDEX	
CIVIL ENGINEERING PLANS	
C-1	COVER SHEET
C-2	GEOMETRIC PLAN
C-3	GRADING AND UTILITY PLAN
C-4	ACCESSIBLE ROUTE GRADES AND DETAILS
C-5	PROJECT DETAILS AND SPECIFICATIONS
SUPPORTING DOCUMENTS	
1 of 1	BOUNDARY TOPOGRAPHIC SURVEY
L-1	LANDSCAPE PLAN
DT-1	DRIVE-THRU PAVEMENT PLAN
DT-2	DRIVE-THRU EQUIPMENT PLAN
DT-3	DRIVE-THRU DETAILS
DT-4	DRIVE-THRU DETAILS



SITE LOCATION

BENCHMARK

SITE BENCHMARK
 SOUTHEAST BOLT ON FIRE HYDRANT NEAR NORTHWEST CORNER OF SUBJECT PROPERTY.

ELEVATION = 766.72 (NGVD 29)

EXISTING	PROPOSED
⊗ OVERHEAD WIRES (# OF WIRES)	CATCH BASIN
— SANITARY SEWER	INLET
— STORM SEWER	STORM MANHOLE
— UNDERGROUND ELECTRIC	SANITARY MANHOLE
— GAS MAIN	VALVE VAULT
— WATER MAIN	FIRE HYDRANT
XXXXX GROUND ELEVATION	FLARED END SECTION
XXXXXX PAVEMENT ELEVATION	ELECTRICAL POWER POLE
FIN/FL = FINISHED FLOOR ELEVATION	OVERHEAD TRAFFIC SIGNAL
T/W = TOP OF WALL	OVERHEAD ELECTRIC WIRES
□ UTILITY PEDESTAL	TRANSFORMER PAD
○ UTILITY POLE	TELEPHONE PEDESTAL
★ LIGHT STANDARD	TELEPHONE MANHOLE
— SIGN POST	CABLE TELEVISION PEDESTAL
⊕ TRAFFIC SIGNAL LIGHT	COMMONWEALTH EDISON MANHOLE
⊙ OPEN COVER DRAINAGE STRUCTURE	B/BOX
▣ CURB INLET/CATCH BASIN	LIGHT POLE
⊕ WATER SHUTOFF VALVE WITH 8" CASING	SIGN
⊙ CLEANOUT	BOLLARD POLE
⊕ WATER SERVICE SHUTOFF VALVE	GAS MARKER
● BOLLARD	ELECTRIC MARKER
⊕ GREASE TRAP	TELEPHONE MARKER
	WATER MAIN
	GAS MAIN
	ELECTRIC LINE
	TELEPHONE LINE
	CABLE TV LINE
	SANITARY SEWER
	STORM SEWER
	GUY POLE
	CONIFEROUS TREE W/DIAMETER
	DECIDUOUS TREE W/DIAMETER
	WOOD FENCE
	CHAIN LINK FENCE
	METAL GUARDRAIL
	CONCRETE SURFACE
	CONTOUR LINE
	PAVEMENT ELEVATION
	GROUND ELEVATION
	TOP OF WALK ELEVATION
	TOP OF RETAINING WALL ELEVATION
	FLOW LINE ELEVATION
	TOP OF CURB ELEVATION
	RIM ELEVATION
	DOWNSPOUT LOCATION
	PERVIOUS AREA SLOPE DIRECTION
	PAVEMENT SLOPE DIRECTION
	OVERLAND OVERFLOW DIRECTION
	INLET PROTECTION
	INLET BASKET FILTER

STATE OF ILLINOIS) SS
 COUNTY OF KANE)

I, JEFFREY C. MILLER, A LICENSED PROFESSIONAL ENGINEER OF ILLINOIS, HEREBY CERTIFY THAT THESE CIVIL ENGINEERING PLANS, NOT THE SUPPORTING DOCUMENTS, AS LISTED IN THE INDEX, HAVE BEEN PREPARED BY WATERMARK ENGINEERING RESOURCES, LTD. UNDER MY PERSONAL DIRECTION. THESE PLANS ARE INTENDED TO BE USED AS AN INTEGRAL PART OF THE PROJECT SPECIFICATIONS AND CONTRACT DOCUMENTS.

DATE: _____

ILLINOIS LICENSED PROFESSIONAL ENGINEER NO. 62-045858.
 MY LICENSE EXPIRES ON 11-30-13.

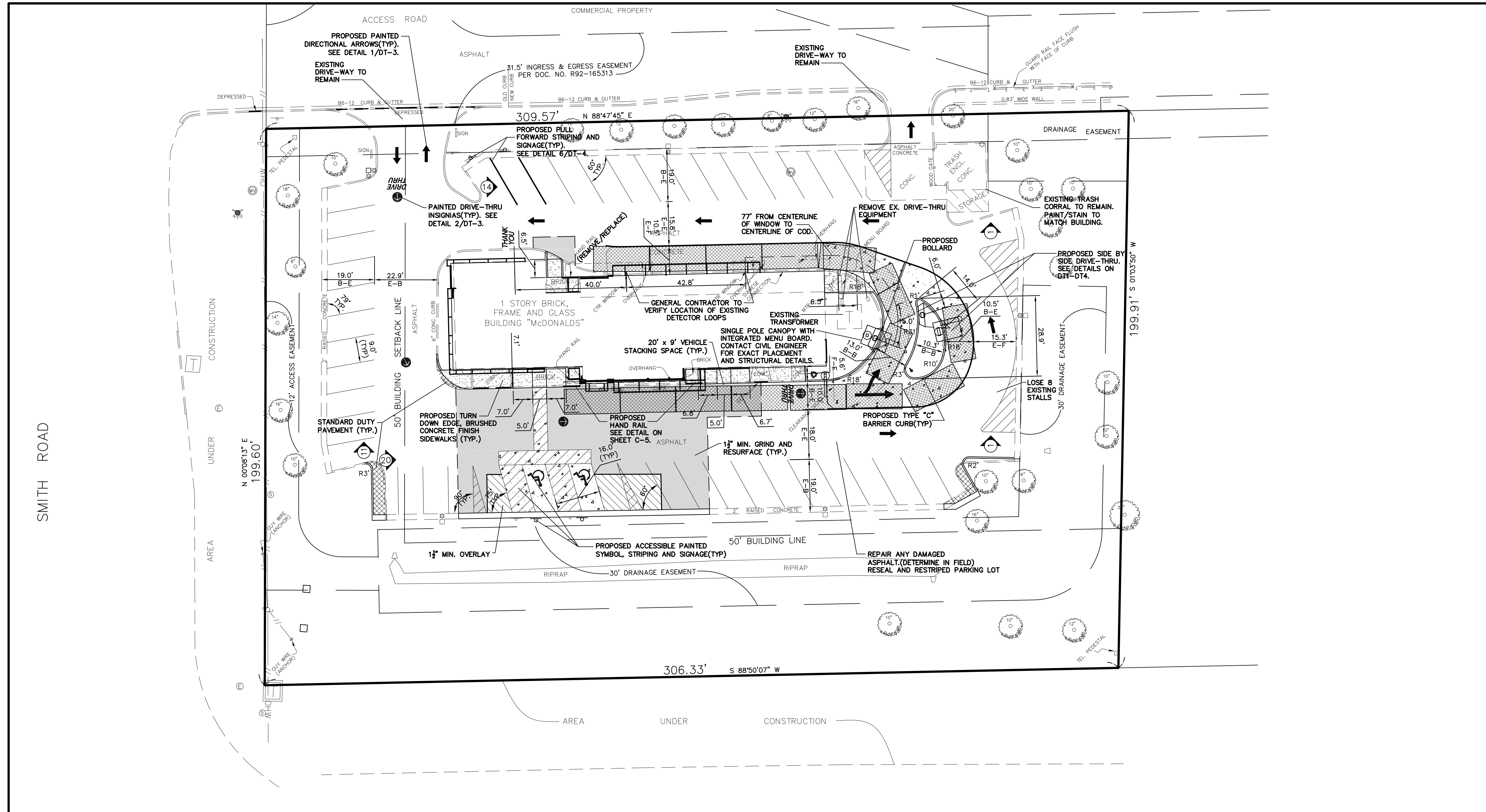
UNLESS THIS DOCUMENT BEARS ORIGINAL SIGNATURE AND EMBOSSED SEAL OF THE DESIGN ENGINEER, IT IS NOT A VALID DOCUMENT.

ILLINOIS PROFESSIONAL DESIGN FIRM LICENSE NO. 184.002989

COVER SHEET

DATE	04/29/13
DRAWING	C2
REVISIONS	PER CITY REVIEW LETTER DATED 04/04/13
NO.	1
Prepared For:	
Lingle Design Group 158 W. Main Street Lena, IL 61048	
McDONALD'S - ST. CHARLES, IL 3900 E. Main Street St. Charles, Illinois	
Prepared By:	
Watermark Engineering Resources, Ltd. 2631 Ginger Woods Parkway, Suite 100, Aurora, IL 60502 phone 630-375-1800 fax 630-236-9600 www.watermark-engineering.com	
CHECKED BY: J. MILLER	DESIGN BY: M. BAILEY
DRAWN BY: D. OLSON	DATE: MARCH 22, 2013
SCALE: NONE	PROJECT NO.: 05-100.01
C-1	
LC #12-1700	





GENERAL NOTES:
 1. THESE PLANS ARE BASED ON THE BOUNDARY AND TOPOGRAPHIC SURVEY (SURVEY PROJECT#95-14463-13 TOPO DATED 01/28/13) PREPARED BY: GENTILE AND ASSOCIATES, INC 550 E. ST. CHARLES PLACE, LOMBARD, IL 60148 (630) 916-6262
 2. PRIOR TO CONSTRUCTION, CONTRACTOR TO CONTACT THE DESIGN ENGINEER AND ARCHITECT TO VERIFY THAT THEY ARE WORKING FROM THE MOST CURRENT SET OF PLANS AND SPECIFICATIONS.

ON SITE PARKING DATA

REGULAR SPACES	45
ADA ACCESSIBLE SPACES	2
TOTAL SPACES	47

PARKING REQ. = 10 SPACES/1,000 S.F. OF BLDG. AREA (4,736 S.F. BUILDING*10 SPACES/1,000 S.F. = 47.4 OR 47 PARKING SPACES REQUIRED.)

47 PARKING SPACES PROP. = 47 PARKING SPACES REQ.

DRIVE-THRU STACKING DATA

15 STACKING SPACES PER DRIVE-THRU LANE REQUIRED

15 STACKING SPACES PROP. = 15 STACKING SPACES REQ.

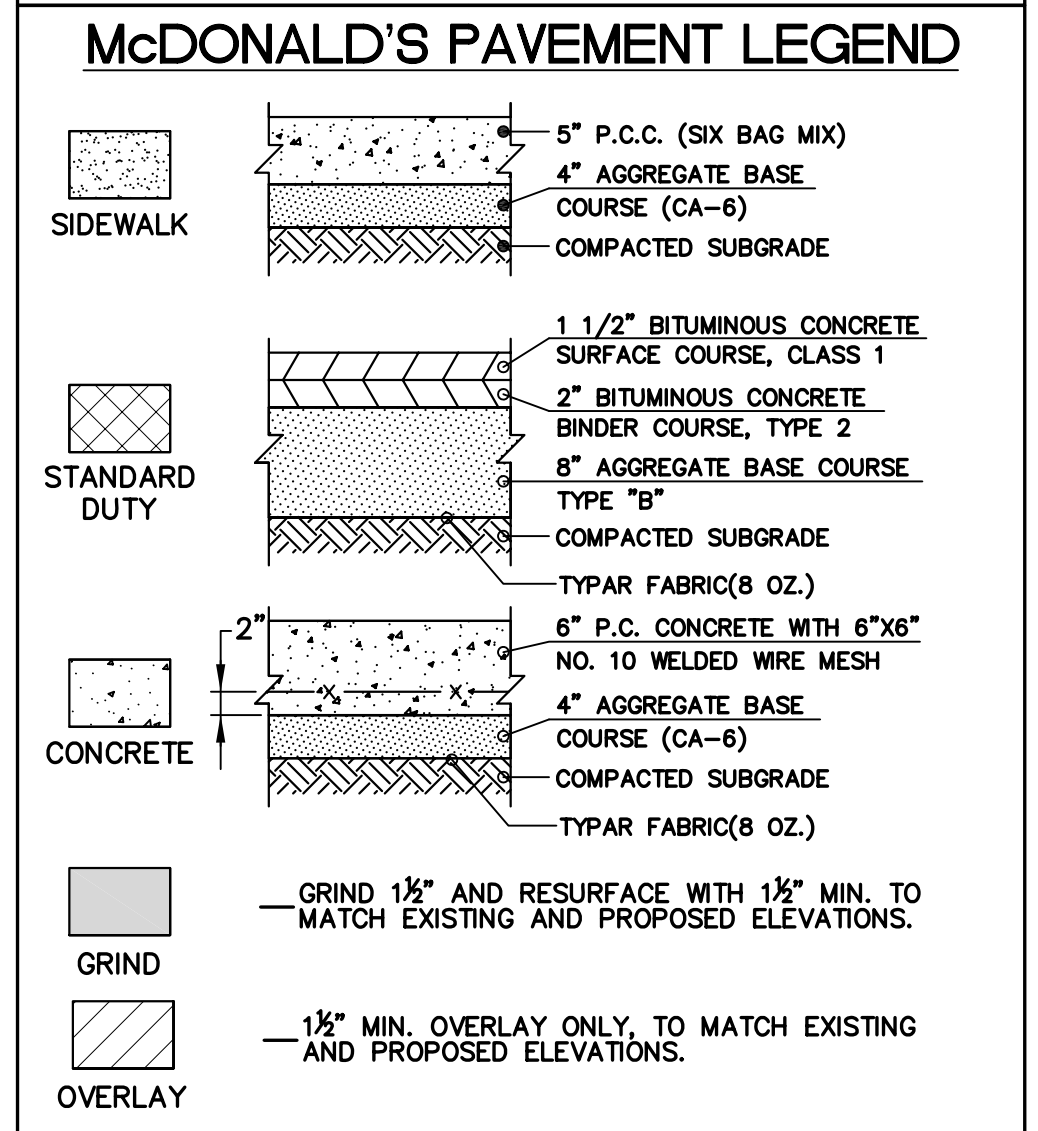
SITE DATA

BUILDING AREA = 4,736 S.F.
 F.A.R. = .08
 LOT AREA = 61,483 S.F. (1.41 AC.)

PROPOSED IMPERVIOUS AREA = 30,763 S.F. (0.70 AC.)(50%)
 PROPOSED PERVIOUS AREA = 30,720 S.F. (0.71 AC.)(50%)
 EXISTING IMPERVIOUS AREA = 30,780 S.F. (0.70 AC.)(50%)
 EXISTING PERVIOUS AREA = 30,703 S.F. (0.71 AC.)(50%)
PROP. PERVIOUS AREA 30,720 S.F. > EX. PERVIOUS 30,703 S.F.

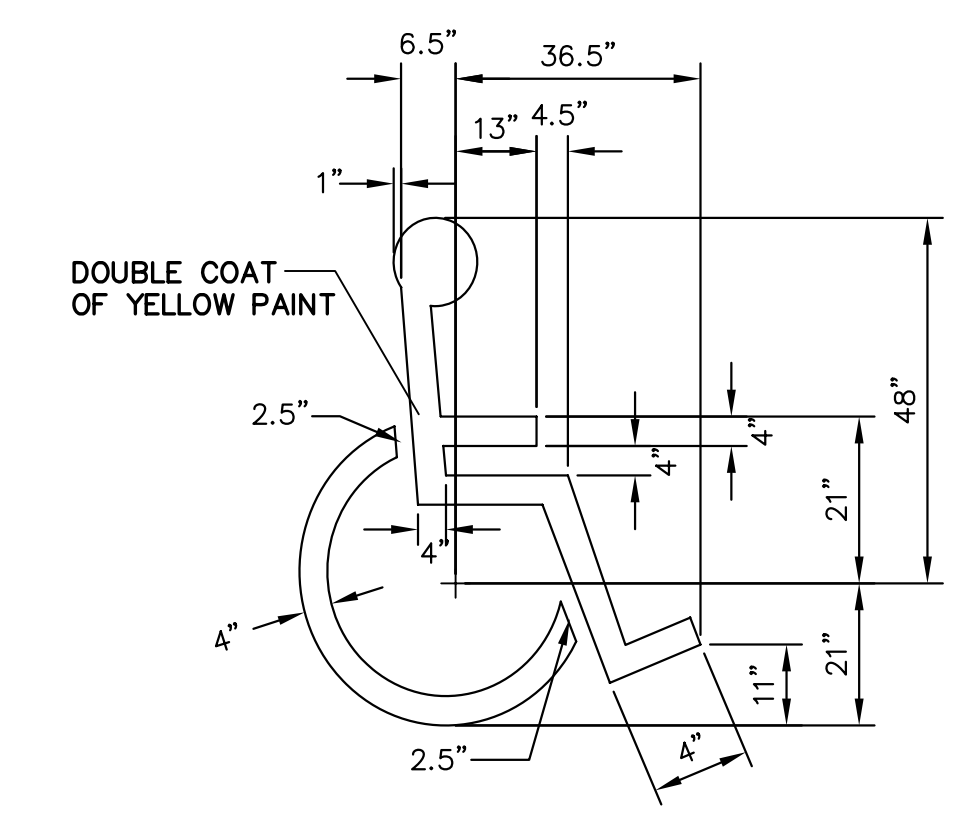
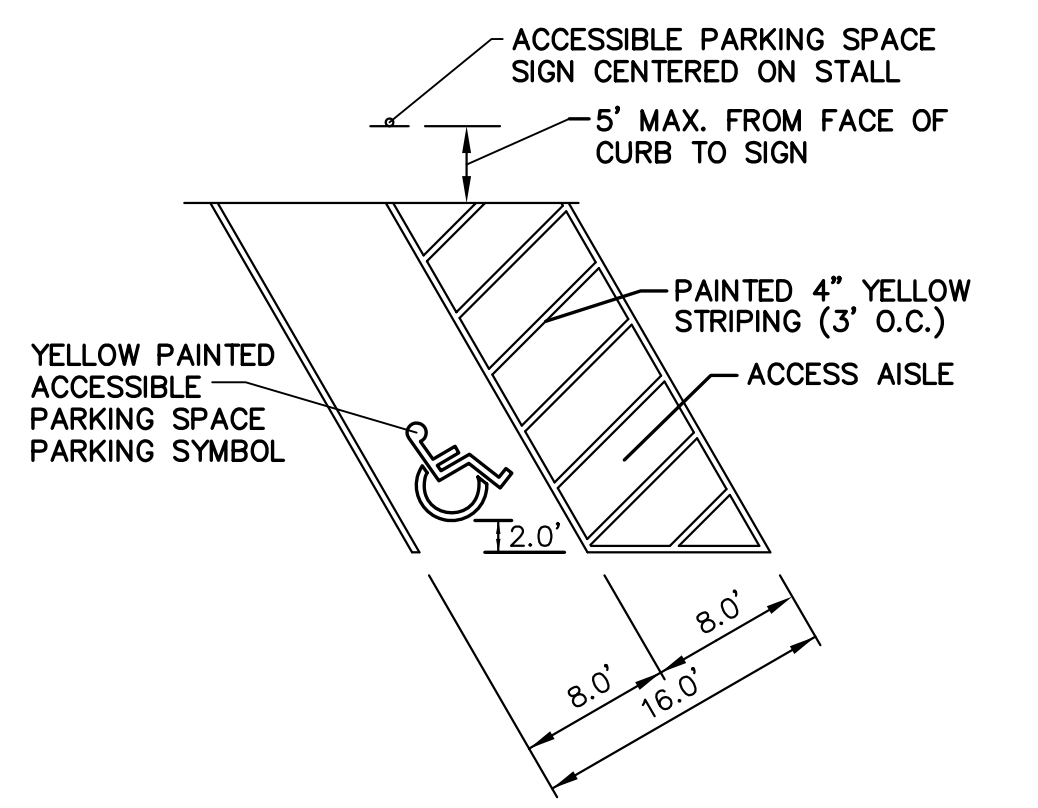
TOTAL DISTURBED AREA = 1,981 S.F.
1,981 S.F. < 5,000 S.F. THEREFORE NO DETENTION IS REQUIRED

GEOMETRIC PLAN NOTES:
 1. ALL RADIUS DIMENSIONS ARE TO BACK OF CURB.
 2. SEE ARCH. PLANS FOR EXACT BUILDING DIMENSIONS.
 3. ALL STRIPING TO BE DOUBLE COATED 4" WHITE PAINT UNLESS OTHERWISE NOTED.



NOTES:

- REFERENCE I.D.O.T. STANDARD SPECIFICATIONS (LATEST EDITION) SECTION 406 FOR BINDER & SURFACE COURSES AND SECTION 351 FOR AGGREGATE BASE COURSE.
- THE APPLICATION RATES FOR THE PRIME COAT AND TACK COAT ARE TO BE 0.30 AND 0.10 GALLONS PER SQUARE YARD, RESPECTIVELY.
- THE ENTIRE SUBGRADE SHALL BE COMPACTED TO NOT LESS THAN 95% OF THE STANDARD LABORATORY DENSITY PER SECTION 301.
- PROVIDE CONTRACTION JOINTS ON CONCRETE PAVEMENT AT 18' O.C. FOR SIDEWALKS, PROVIDE CONTROL JOINT AT 5' O.C., EXPANSION JOINTS AT 50' O.C.



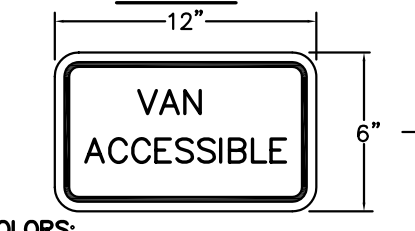
NOTES:
 1. SYMBOL IS CENTERED ON WIDTH OF PARKING STALL AND 2' FROM THE END OF THE STALL.

ILLINOIS STANDARD SIGN R7-1101



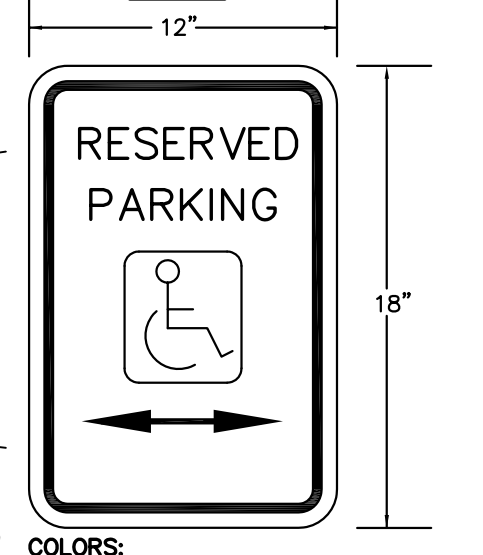
COLORS:
 LEGEND AND BORDERS-GREEN
 NON-REFLECTORIZED (PANTONE 340C)
 BACKGROUND-WHITE REFLECTORIZED PANEL

U.S. DEPARTMENT OF TRANSPORTATION R7-8A

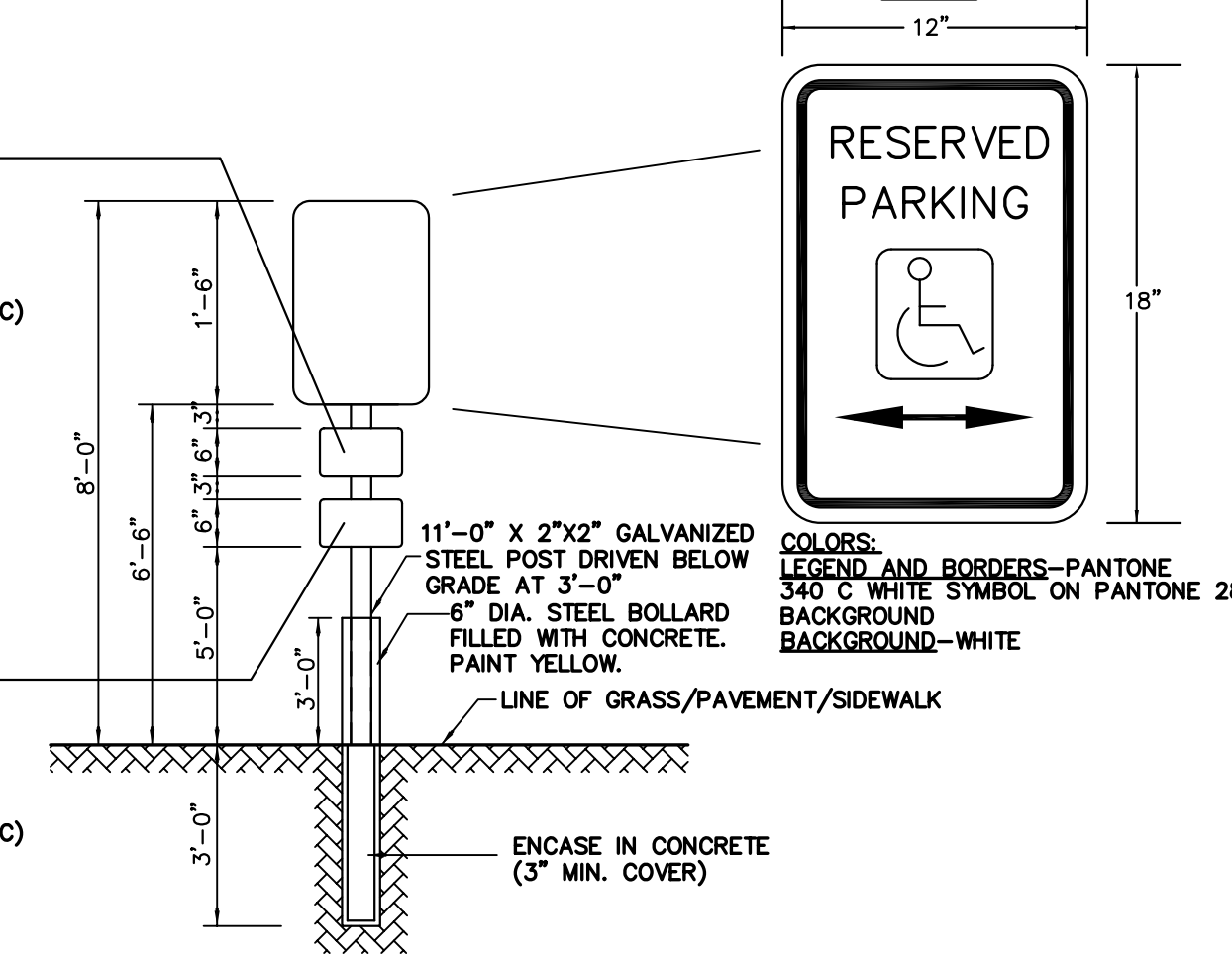


COLORS:
 LEGEND AND BORDERS-GREEN
 NON-REFLECTORIZED (PANTONE 340C)
 BACKGROUND-WHITE REFLECTORIZED
 *SEE NOTE #4 AND #5.

U.S. DEPT. OF TRANSPORTATION R7-8



COLORS:
 LEGEND AND BORDERS-PANTONE 340 C WHITE SYMBOL ON PANTONE 286 BACKGROUND
 BACKGROUND-WHITE

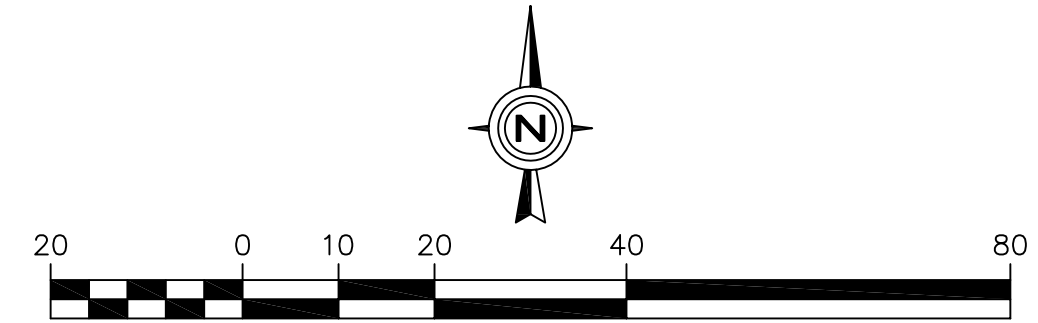


- WHERE A FINE IN EXCESS OF \$250 IS ESTABLISHED BY A MUNICIPALITY BY ORDINANCE IN ACCORDANCE WITH THE STATUTES, THE ACTUAL AMOUNT OF THE FINE SHOULD BE SHOWN.
- THIS PLATE MAY BE MOUNTED DIRECTLY BELOW THE R7-8 SIGN OR COMBINED WITH THAT SIGN ON A SINGLE 12 INCH BY 24 INCH PANEL.
- ON THE RESERVED PARKING SIGN, THE ARROW SHOULD BE OMITTED WHERE THERE IS ONLY ONE SPACE. THE ARROW MAY ALSO BE MADE TO POINT IN ONLY ONE DIRECTION. THE ARROW MAY ALSO BE REPLACED BY "TIME" SUCH AS 9 AM-5 PM WHERE A PART TIME RESTRICTION EXISTS.
- ONE IN EVERY EIGHT ACCESSIBLE SPACES, BUT NOT LESS THAN ONE, SHALL BE SERVED BY AN ACCESS AISLE 8 FEET WIDE MINIMUM AND SHALL BE DESIGNATED "VAN ACCESSIBLE".
- THE LOWEST BOTTOM EDGE OF THE LOWEST REQUIRED SIGN SHALL BE MOUNTED AT 60" ABOVE FINISHED GRADE.

ACCESSIBLE PARKING SPACE DETAIL

ACCESSIBLE PARKING SPACE PARKING SYMBOL

ACCESSIBLE PARKING SPACE SIGN WITH BOLLARD DETAIL



GEOMETRIC PLAN

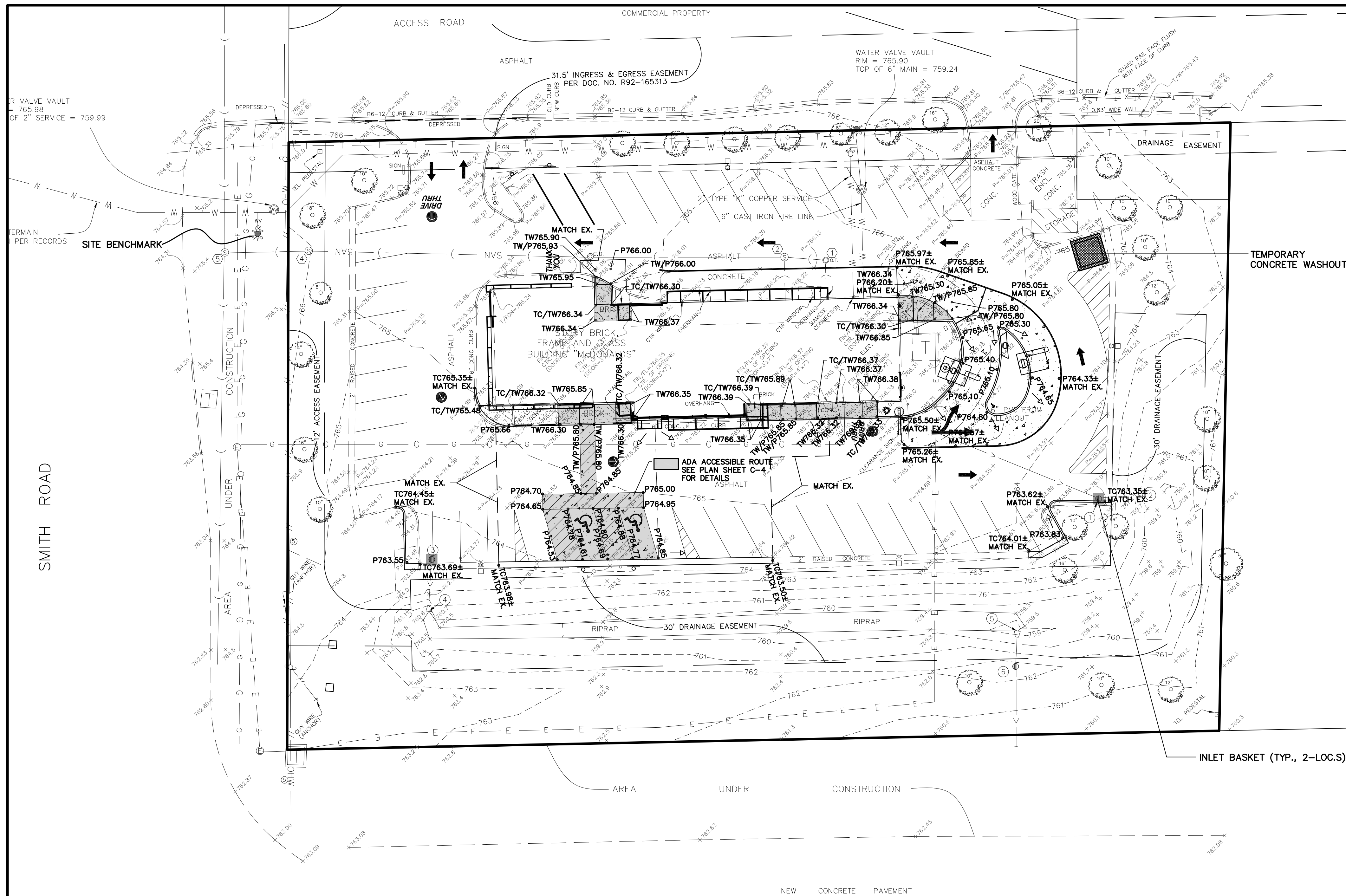
DATE: 04/29/13
 PER CITY REVIEW LETTER DATED 04.04.13
 REVISIONS: 1
 NO. 1
 Prepared For:
Lingle Design Group
 158 W. Main Street
 Lena, IL 61048
McDONALD'S - ST. CHARLES, IL
 3900 E. Main Street
 St. Charles, Illinois

Checked By: J. MILLER
 Design By: M. BAILEY
 Drawn By: D. OLSON
 Date: MARCH 22, 2013
 Scale: 1" = 20'
 Project No.: 05-100.01

Watermark Engineering Resources, Ltd.
 2631 Ginger Woods Parkway, Suite 100, Aurora, IL 60502
 phone 630-375-1800 fax 630-236-9800 www.watermark-engineering.com

C-2
 LC #12-1700

GEOMETRIC PLAN



EXISTING SANITARY SEWER STRUCTURES

- GREASE TRAP
RIM = 766.11
FULL OF WATER
- SANITARY SEWER MH
RIM = 766.13
W. INV. = 761.64 (6" PVC)
E. INV. = 761.67 (6" PVC)
S. INV. = 761.67 (6" PVC)
- CLEANOUT
RIM = 765.74
- SANITARY SEWER MH
RIM = 766.03
W. INV. = 759.02 (12" PVC)
E. INV. = 760.22 (6" PVC)
- SANITARY SEWER MH
RIM = 765.35
N. INV. = 757.14 (15" PVC)
S. INV. = 757.26 (15" PVC)
E. INV. = 758.01 (12" PVC)
FLOWING TO SOUTH

EXISTING STORM SEWER STRUCTURES

- CATCH BASIN
RIM = 763.09
W. INV. = 760.07 (6" PVC)
E. INV. = 759.80 (12" RCP)
- FLARED END SECTION
INV. = 759.57 (12" RCP)
- CATCH BASIN
RIM = 763.45
S. INV. = 759.97 (12" RCP)
- FLARED END SECTION
INV. = 760.05 (12" RCP)
- FLARED END SECTION
INV. = 758.60 (12" RCP)
- CATCH BASIN
RIM = 762.45
N. INV. = 758.25 (12" RCP)
S. INV. = 758.05 (6" D.I.P.)

GENERAL NOTES:
 1. THESE PLANS ARE BASED ON THE BOUNDARY AND TOPOGRAPHIC SURVEY (SURVEY PROJECT#95-14463-13) DATED 01/28/13)
 PREPARED BY: GENTILE AND ASSOCIATES, INC
 550 E. ST. CHARLES PLACE, LOMBARD, IL 60148
 (630) 916-6262
 2. PRIOR TO CONSTRUCTION, CONTRACTOR TO CONTACT THE DESIGN ENGINEER AND ARCHITECT TO VERIFY THAT THEY ARE WORKING FROM THE MOST CURRENT SET OF PLANS AND SPECIFICATIONS.

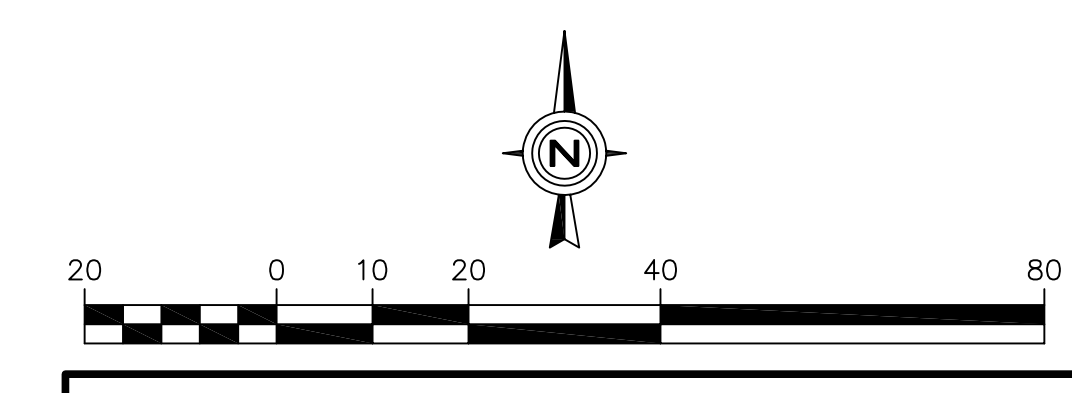
SITE BENCHMARKS
 SOUTHEAST BOLT ON FIRE HYDRANT NEAR NORTHWEST CORNER OF SUBJECT PROPERTY.
 ELEVATION = 766.72 (NGVD 29)

GRADING PLAN NOTES:
 1. UNLESS OTHERWISE SPECIFIED, TOP OF CURB (TC) AND/OR TOP OF WALK ELEVATIONS ARE 0.5' HIGHER THAN THE ADJACENT FLOW LINE (FL) OR PAVEMENT (P) ELEVATIONS.
 2. IN ALL LOCATIONS WHERE ELEVATIONS ARE SHOWN AS ±, THE ELEVATION HAS BEEN DETERMINED BASED ON INTERPOLATED GRADES FROM THE SURVEY. CONTRACTOR IS TO VERIFY THESE GRADES PRIOR TO CONSTRUCTION OF ANY IMPROVEMENTS WITHIN THE PROXIMITY OF THESE INTERPOLATED GRADES AND REPORT THEM TO THE DESIGN ENGINEER FOR VERIFICATION OF PROPOSED SLOPES PRIOR TO INSTALLATION OF PROPOSED IMPROVEMENTS. DESIGN ENGINEER IS NOT RESPONSIBLE FOR SLOPES OF PROPOSED IMPROVEMENTS BASED ON THESE ± GRADES WITHOUT CONFIRMATION OF EXISTING ELEVATIONS AT TIME OF CONSTRUCTION.
 3. PAVING, SIDEWALK, AND CURBING IS NOT TO BE INSTALLED IN SUCH A WAY THAT IT WILL BLOCK THE FLOW OF WATER AWAY FROM THE BUILDING INCLUDING BUT NOT LIMITED TO WEEP HOLES, WICKS, DRAINAGE SCUPPERS OR PIPES, AND LANDSCAPING.

UTILITY PLAN NOTES:
 1. PRIOR TO CONSTRUCTION OF ANY UTILITIES, CONTRACTOR IS TO VERIFY THAT THE PROPOSED UTILITIES SHOWN ON THIS PLAN THAT ENTER THE PROPOSED BUILDING(S) CORRESPOND WITH THE UTILITIES ON THE PLUMBING PLANS AS THEY EXIT THE BUILDING(S). CONTRACTOR TO REPORT IN WRITING ANY DISCREPANCIES IN SIZE, LOCATION, OR INVERT ELEVATION TO THE DESIGN ENGINEER IMMEDIATELY FOR RESOLUTION OF THE CONFLICT IN WRITING.
 2. GENERAL CONTRACTOR TO COORDINATE THE INSTALLATION AND PERMITTING OF THE PUBLIC UTILITIES, SUCH AS GAS, ELECTRIC, TELEPHONE, CABLE AND FIBER OPTICS, WITH THE PUBLIC UTILITY COMPANIES AND ARCHITECT PRIOR TO CONSTRUCTION. THE INSTALLATION OF THE PUBLIC UTILITIES AND NECESSARY SLEEVING TO BE INCLUDED AS PART OF GENERAL CONTRACTOR'S SCOPE OF WORK FOR THIS PROJECT.

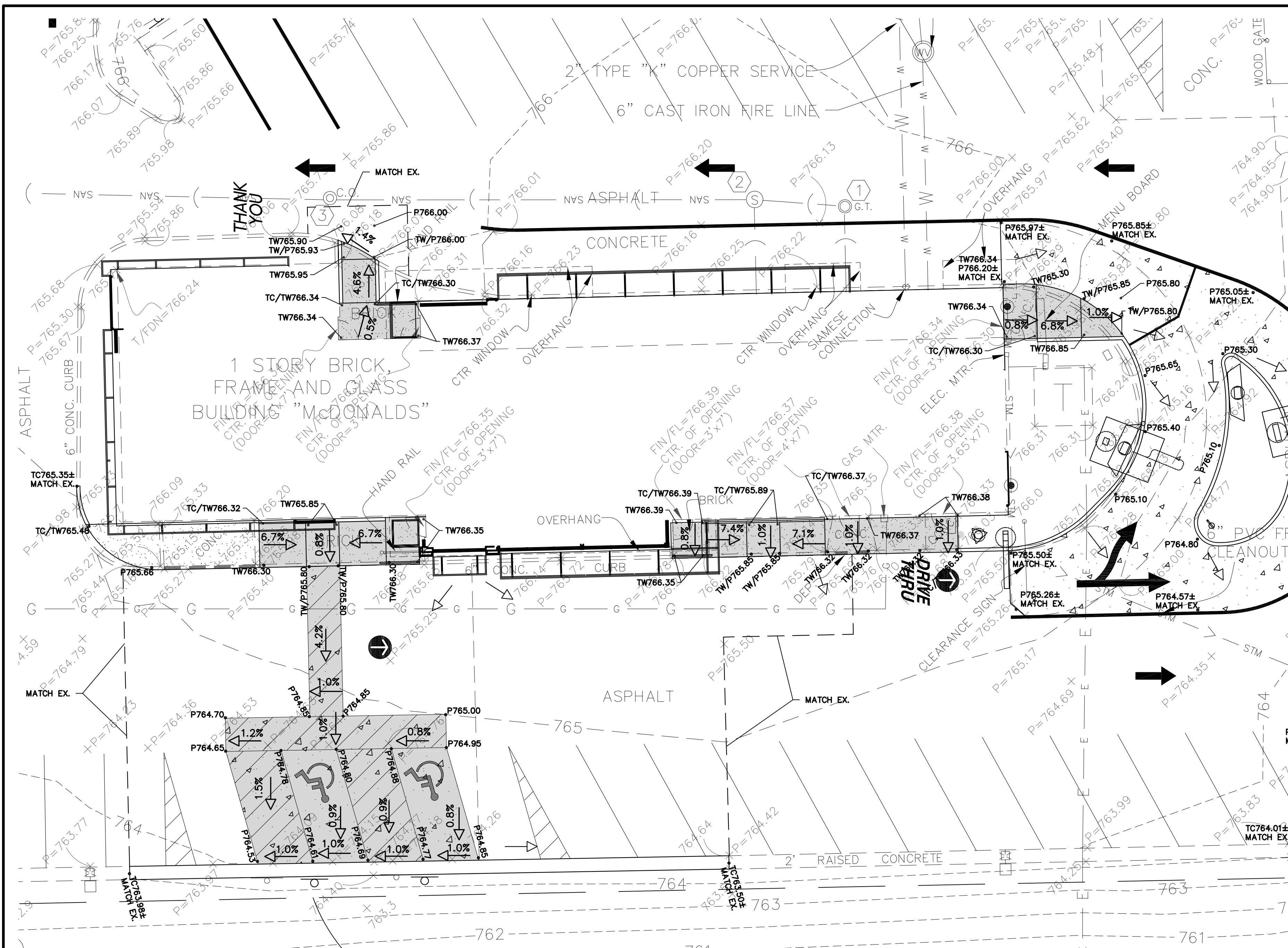
DATE	04/29/13
REVISIONS	NO REVISIONS
NO.	
Prepared For:	Lingle Design Group 158 W. Main Street Lena, IL 61048
	McDONALD'S - ST. CHARLES, IL 3900 E. Main Street St. Charles, Illinois
Prepared By:	

Watermark Engineering Resources, Ltd.
 2631 Ginger Woods Parkway, Suite 100, Aurora, IL 60502
 phone 630-375-1800 fax 630-236-9600 www.watermark-engineering.com

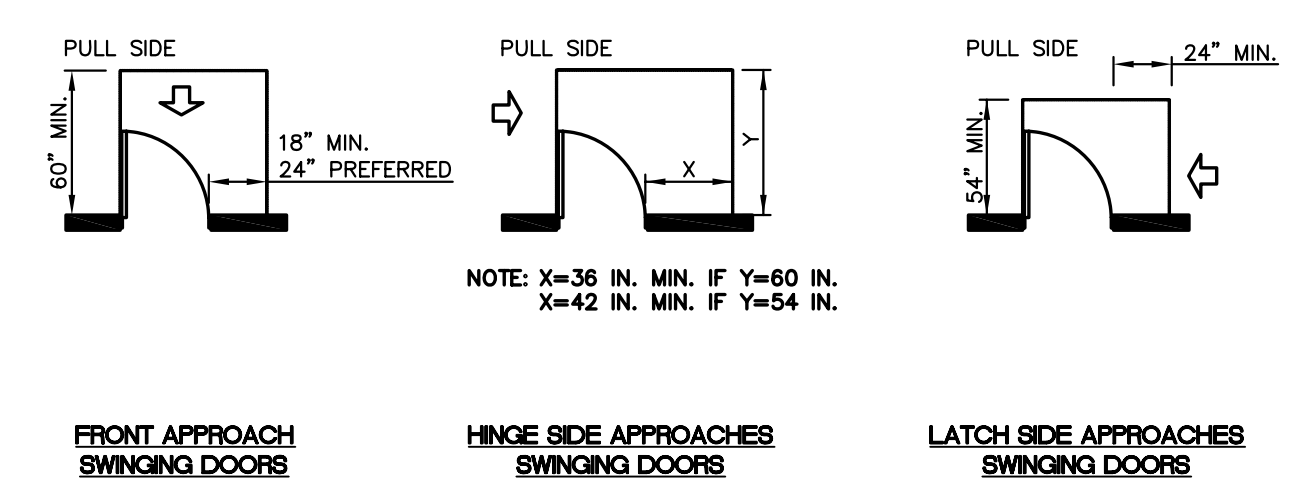


GRADING AND UTILITY PLAN

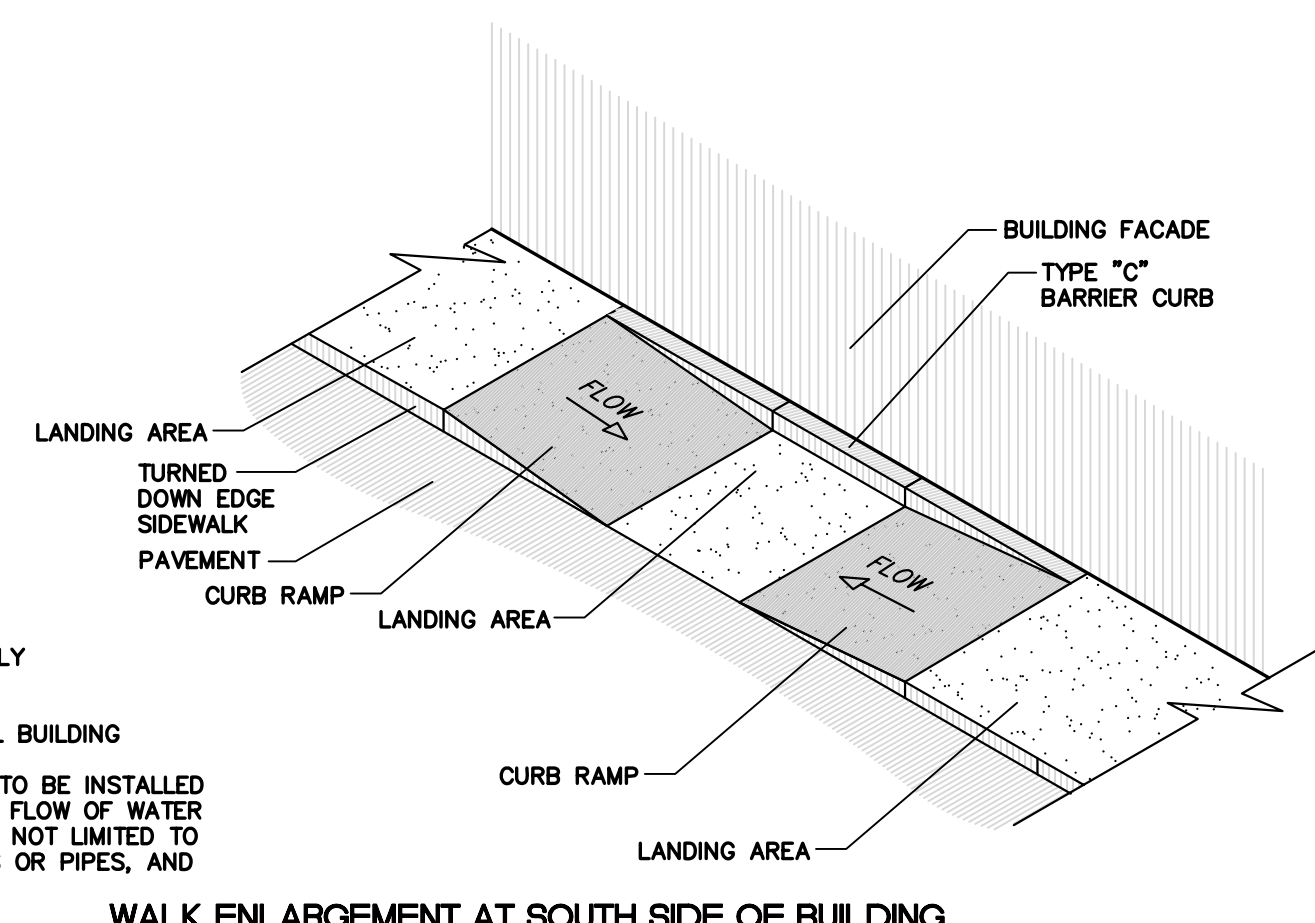
C-3
 LC #12-1700



ACCESSIBLE ROUTE GRADES - PLAN VIEW SCALE: 1" = 10' [shaded box] = A.D.A. ACCESSIBLE ROUTE

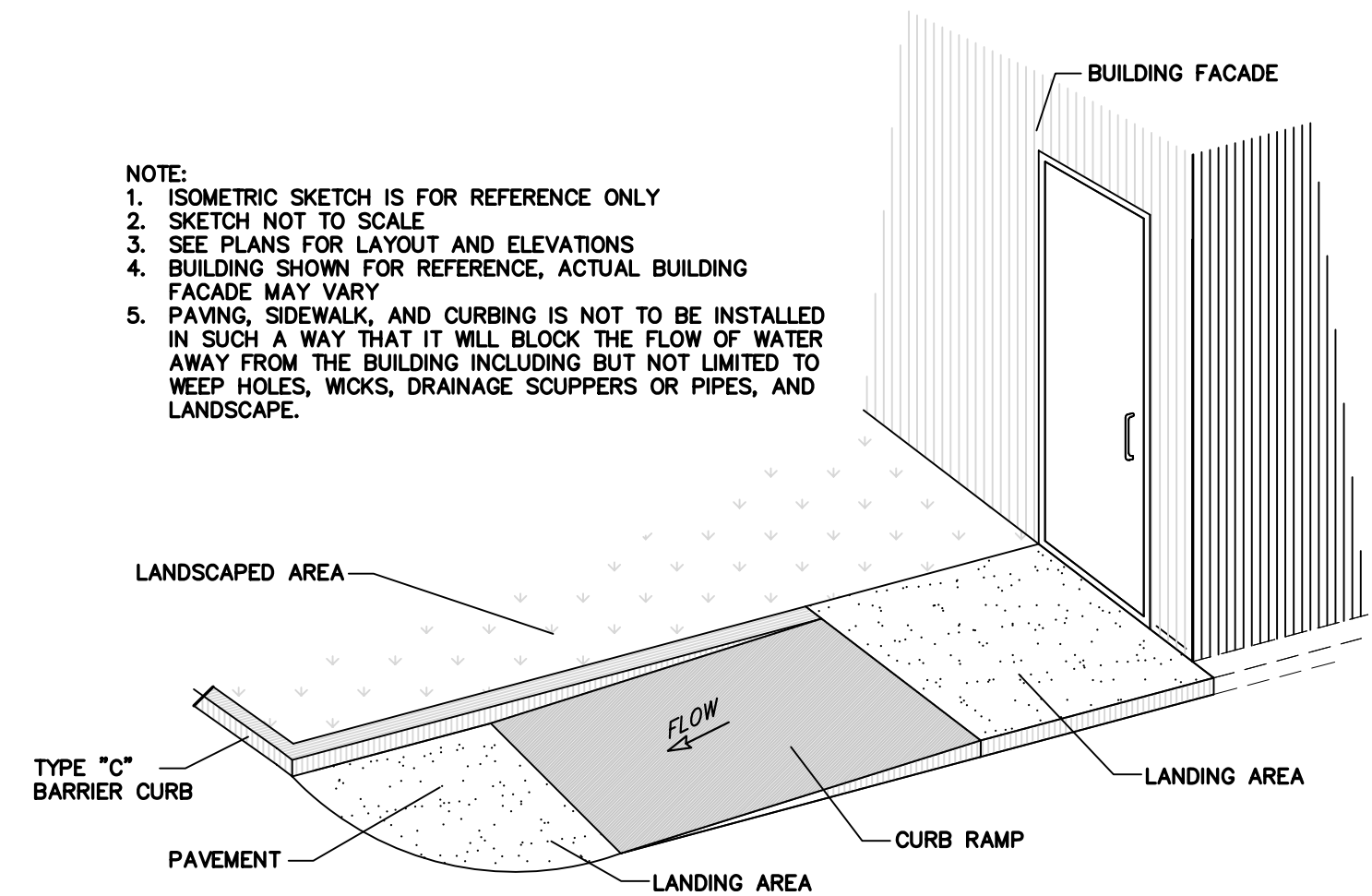


TYPICAL ACCESSIBLE LANDING AREA DETAIL



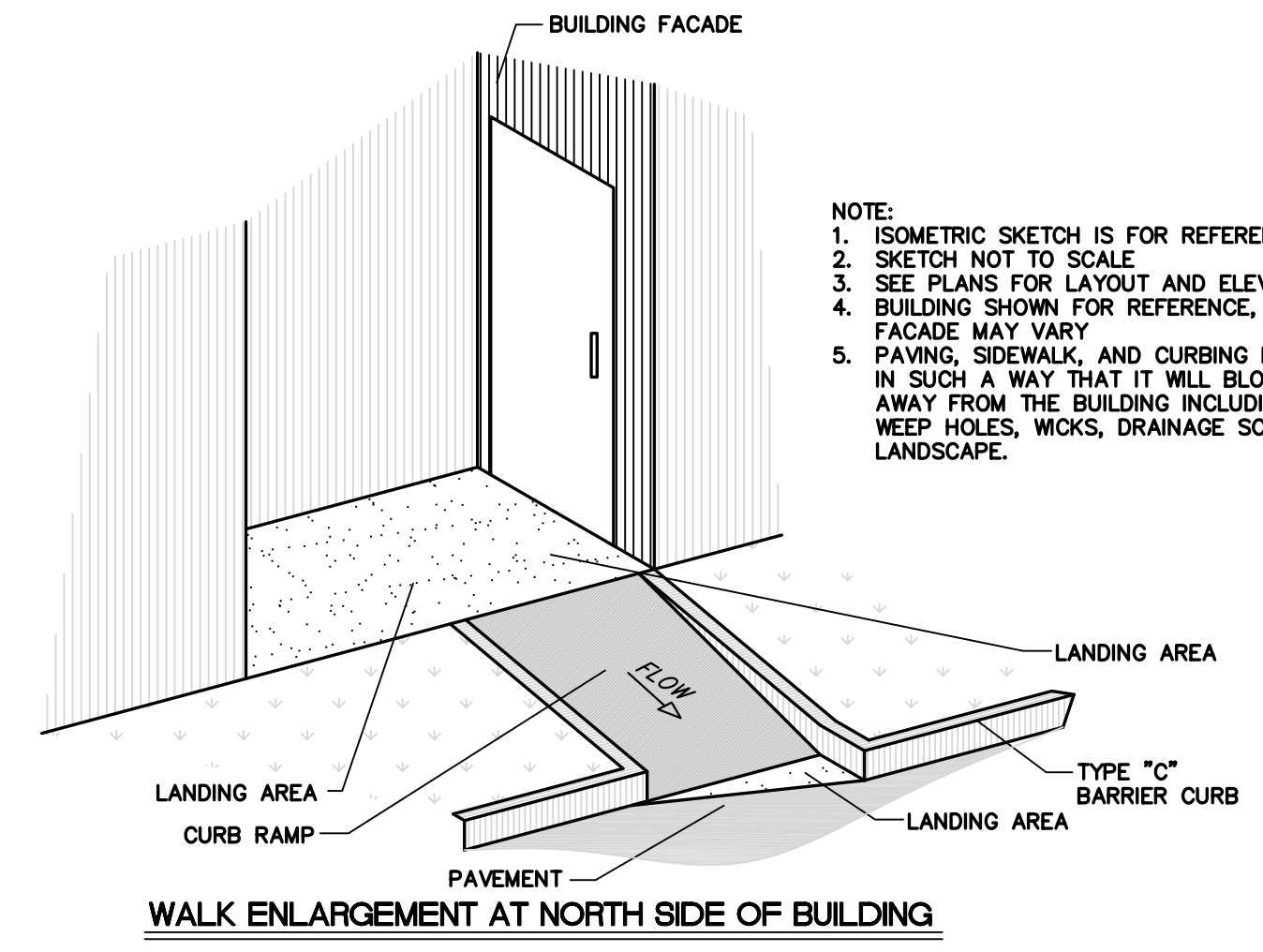
NOTE:
 1. ISOMETRIC SKETCH IS FOR REFERENCE ONLY
 2. SKETCH NOT TO SCALE
 3. SEE PLANS FOR LAYOUT AND ELEVATIONS
 4. BUILDING SHOWN FOR REFERENCE, ACTUAL BUILDING FACADE MAY VARY
 5. PAVING, SIDEWALK, AND CURBING IS NOT TO BE INSTALLED IN SUCH A WAY THAT IT WILL BLOCK THE FLOW OF WATER AWAY FROM THE BUILDING INCLUDING BUT NOT LIMITED TO WEEP HOLES, WICKS, DRAINAGE SCUPPERS OR PIPES, AND LANDSCAPE.

WALK ENLARGEMENT AT SOUTH SIDE OF BUILDING



NOTE:
 1. ISOMETRIC SKETCH IS FOR REFERENCE ONLY
 2. SKETCH NOT TO SCALE
 3. SEE PLANS FOR LAYOUT AND ELEVATIONS
 4. BUILDING SHOWN FOR REFERENCE, ACTUAL BUILDING FACADE MAY VARY
 5. PAVING, SIDEWALK, AND CURBING IS NOT TO BE INSTALLED IN SUCH A WAY THAT IT WILL BLOCK THE FLOW OF WATER AWAY FROM THE BUILDING INCLUDING BUT NOT LIMITED TO WEEP HOLES, WICKS, DRAINAGE SCUPPERS OR PIPES, AND LANDSCAPE.

WALK ENLARGEMENT AT NORTHEAST BUILDING CORNER



NOTE:
 1. ISOMETRIC SKETCH IS FOR REFERENCE ONLY
 2. SKETCH NOT TO SCALE
 3. SEE PLANS FOR LAYOUT AND ELEVATIONS
 4. BUILDING SHOWN FOR REFERENCE, ACTUAL BUILDING FACADE MAY VARY
 5. PAVING, SIDEWALK, AND CURBING IS NOT TO BE INSTALLED IN SUCH A WAY THAT IT WILL BLOCK THE FLOW OF WATER AWAY FROM THE BUILDING INCLUDING BUT NOT LIMITED TO WEEP HOLES, WICKS, DRAINAGE SCUPPERS OR PIPES, AND LANDSCAPE.

WALK ENLARGEMENT AT NORTH SIDE OF BUILDING

GENERAL NOTES:
 1. THESE PLANS ARE BASED ON THE BOUNDARY AND TOPOGRAPHIC SURVEY (SURVEY PROJECT#95-14463-13 TOPO DATED 01/28/13)
 PREPARED BY: GENTILE AND ASSOCIATES, INC
 550 E. ST. CHARLES PLACE, LOMBARD, IL 60148
 (630) 916-6262
 2. PRIOR TO CONSTRUCTION, CONTRACTOR TO CONTACT THE DESIGN ENGINEER AND ARCHITECT TO VERIFY THAT THEY ARE WORKING FROM THE MOST CURRENT SET OF PLANS AND SPECIFICATIONS.

SITE BENCHMARKS:
 SOUTHEAST BOLT ON FIRE HYDRANT NEAR NORTHWEST CORNER OF SUBJECT PROPERTY.
 ELEVATION = 766.72 (NGVD 29)

GRADING PLAN NOTES:
 1. UNLESS OTHERWISE SPECIFIED, TOP OF CURB (TC) AND/OR TOP OF WALK ELEVATIONS ARE 0.5' HIGHER THAN THE ADJACENT FLOW LINE (FL) OR PAVEMENT (P) ELEVATIONS.
 2. IN ALL LOCATIONS WHERE ELEVATIONS ARE SHOWN AS ±, THE ELEVATION HAS BEEN DETERMINED BASED ON INTERPOLATED GRADES FROM THE SURVEY. CONTRACTOR IS TO VERIFY THESE GRADES PRIOR TO CONSTRUCTION OF ANY IMPROVEMENTS WITHIN THE PROXIMITY OF THESE INTERPOLATED GRADES AND REPORT THEM TO THE DESIGN ENGINEER FOR VERIFICATION OF PROPOSED IMPROVEMENTS. DESIGN ENGINEER IS NOT RESPONSIBLE FOR SLOPES OF PROPOSED IMPROVEMENTS BASED ON THESE ± GRADES WITHOUT CONFIRMATION OF EXISTING ELEVATIONS AT TIME OF CONSTRUCTION.
 3. PAVING, SIDEWALK, AND CURBING IS NOT TO BE INSTALLED IN SUCH A WAY THAT IT WILL BLOCK THE FLOW OF WATER AWAY FROM THE BUILDING INCLUDING BUT NOT LIMITED TO WEEP HOLES, WICKS, DRAINAGE SCUPPERS OR PIPES, AND LANDSCAPING.

"AMERICANS WITH DISABILITIES ACT" (ADA) MINIMAL REQUIREMENTS:
 1. GENERAL CONTRACTOR TO BECOME FAMILIAR WITH AND APPLY THE ADA MINIMAL REQUIREMENTS AND REPORT TO ARCHITECT/ENGINEER ANY DISCREPANCIES BEFORE CONSTRUCTION.
 2. ACCESSIBLE ROUTES ON AN ACCESSIBLE SITE AND FOR ANY NEW SITE IMPROVEMENTS SHALL BE PROVIDED TO SERVE ALL ACCESSIBLE SPACES OR ELEMENTS.
 3. THE MINIMUM CLEAR WIDTH OF AN ACCESSIBLE ROUTE PER CODE IS 36".
 4. EACH ACCESSIBLE PARKING SPACE IS TO BE A MINIMUM OF 16' WIDE, CONSISTING OF A 96" WIDE ACCESS AISLE AND A 96" WIDE PARKING SPACE. (SEE DETAIL). THE ACCESS AISLE MAY BE ON EITHER THE DRIVER'S SIDE OR THE PASSENGER'S SIDE OF THE ACCESSIBLE SPACE. THIS APPLIES TO 45, 60, AND 90' PARKING.
 5. ACCESSIBLE PARKING SPACES ARE TO BE LOCATED AS CLOSE TO THE BUILDING ENTRANCE AS POSSIBLE AND SHALL BE IDENTIFIED WITH A SIGN.
 6. RAMPS MUST NOT EXTEND OUT FROM THE CURB INTO THE ACCESS AISLE OF ANY ACCESSIBLE PARKING SPACE.
 7. TWO PARKING SPACES MAY NOT SHARE AN ACCESS AISLE.
 8. AN ACCESSIBLE ROUTE WITH A RUNNING SLOPE GREATER THAN 1:20 (5.00%) IS A RAMP AND SHALL COMPLY WITH THE RAMP REQUIREMENTS.
 9. AN ACCESSIBLE ROUTE MAY CROSS OPEN PAVEMENT OR FOLLOW A RAMP AS REQUIRED BY SITE-SPECIFIC CONDITIONS. THE RUNNING SLOPE OF AN ACCESSIBLE ROUTE ACROSS OPEN PAVEMENT MUST NOT EXCEED 1:20 (5.00%), WITH A CROSS SLOPE NOT EXCEEDING 1:50 (2.00%). SLOPES EXCEEDING 1:20 (5.00%), BUT LESS THAN 1:12 (8.33%), CONSTITUTE RAMPS AND MUST CONFORM TO THE REQUIREMENTS FOR RAMP DESIGN (HANDRAILS, CURBS, LANDINGS, RISE AND RUN LIMITS, ETC.) AS DETAILED ON THE CIVIL AND ARCHITECTURAL PLANS. NO RAMP SHALL HAVE A RUNNING SLOPE EXCEEDING 1:12 (8.33%), NOR HAVE A CROSS SLOPE EXCEEDING 1:50 (2.00%).
 10. THE GENERAL CONTRACTOR/CONTRACTOR SHALL MEASURE THE SUBGRADE AND ACROSS FORMS PRIOR TO INSTALLATION OF ASPHALT OR CONCRETE IMPROVEMENTS TO ASSURE THE FINAL IMPROVEMENTS WILL MEET THESE MINIMAL ADA REQUIREMENTS. ANY DISCREPANCIES SHALL BE REPORTED TO THE CIVIL ENGINEER PRIOR TO INSTALLATION OF THE IMPROVEMENTS.
CURB RAMPS
 11. A CURB RAMP SHALL BE PROVIDED WHEREVER AN ACCESSIBLE ROUTE CROSSES A CURB.
 12. CURB RAMPS HAVE A MAXIMUM RISE OF 6", MAXIMUM SLOPE OF 1:12 (8.33%) AND DO NOT REQUIRE HANDRAILS.
 13. IF A CURB RAMP IS LOCATED WHERE PEDESTRIANS MUST WALK ACROSS THE RAMP, OR WHERE IT IS NOT PROTECTED BY HANDRAILS OR GUARDRAILS, IT SHALL HAVE FLARED SIDES; THE MAXIMUM SLOPE OF THE FLARE SHALL BE 1:12 (8.33%).
 14. A CURB RAMP SHALL HAVE A DETECTABLE WARNING FEATURE EXTENDING THE FULL WIDTH AND DEPTH OF THE CURB RAMP (SEE DETAIL).

REVISIONS:
 NO REVISIONS

DATE: 04/29/13
 NO. 1
 PREPARED FOR:
 Lingle Design Group
 158 W. Main Street
 Lena, IL 61048
 McDonald's - ST. CHARLES, IL
 3900 E. Main Street
 St. Charles, Illinois

2631 Ginger Woods Parkway, Suite 100, Aurora, IL 60502
 phone 630-375-1800 fax 630-236-9800 www.watermark-engineering.com

CHECKED BY: J. MILLER
 DESIGN BY: M. BAILEY
 DRAWN BY: D. OLSON
 DATE: MARCH 22, 2013
 SCALE: 1" = 20'
 PROJECT NO.: 05-100.01

20 0 10 20 40 80

ACCESSIBLE ROUTE GRADES AND DETAILS

C-4
 LC #12-1700

PROJECT SPECIFICATIONS

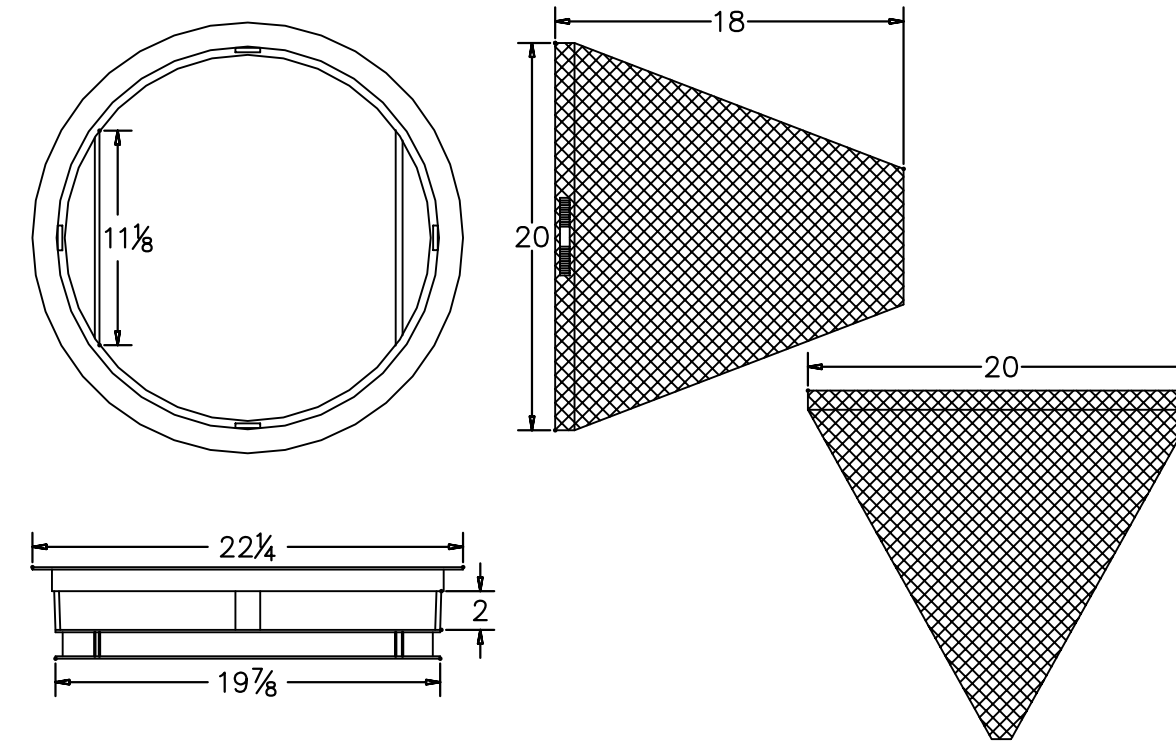
- CONTRACTOR IS TO FOLLOW ALL ORDINANCES AND REQUIREMENTS OF THE STATE, COMMUNITY, LOCAL DISTRICTS AND THE ILLINOIS ACCESSIBILITY CODE (IAC). ALL PROPOSED IMPROVEMENTS ARE TO BE CONSTRUCTED IN ACCORDANCE WITH THE "STANDARD SPECIFICATIONS FOR ROAD AND BRIDGE CONSTRUCTION" AS WELL AS THE "STANDARD SPECIFICATIONS FOR WATER AND SEWER MAIN CONSTRUCTION IN ILLINOIS" CURRENT EDITIONS.
- THE CONTRACTOR SHALL INDEMNIFY WATERMARK ENGINEERING RESOURCES, LTD (THE ENGINEER), ARCHITECT AND OWNER, THEIR AGENTS, ETC., FROM ALL LIABILITY INVOLVED WITH THE CONSTRUCTION. THE CONTRACTOR IS SOLELY RESPONSIBLE FOR CONDUCTING WORK IN ACCORDANCE WITH THE CONTRACT DOCUMENTS, SPECIFICATIONS, AND ALL GOVERNMENTAL AGENCIES HAVING JURISDICTION OVER THIS DEVELOPMENT.
- THE CONTRACTOR IS RESPONSIBLE TO OBTAIN ALL PERMITS THAT ARE REQUIRED BY THE LOCAL AGENCIES.
- PRIOR TO BID AND PRIOR TO CONSTRUCTION, THE CONTRACTOR SHALL INSPECT THE SITE TO VERIFY THAT THERE ARE NO DISCREPANCIES BETWEEN THE PLANS AND THE ACTUAL CONDITIONS AT THE SITE. IF ANY DISCREPANCIES ARE FOUND, AT ANY TIME BEFORE OR DURING CONSTRUCTION, THE CONTRACTOR SHALL NOTIFY THE DESIGN ENGINEER IMMEDIATELY (BEFORE ANY ADDITIONAL IMPROVEMENTS ARE INSTALLED) IN ORDER TO OBTAIN WRITTEN CONFIRMATION BY THE DESIGN ENGINEER AS TO ANY REVISIONS THAT MAY NEED TO BE MADE TO THE PLANS.
- PRIOR TO CONSTRUCTION, CONTRACTOR IS TO CONTACT THE DESIGN ENGINEER AND ARCHITECT TO VERIFY THAT THEY ARE WORKING FROM THE MOST CURRENT SET OF PLANS AND SPECIFICATIONS.
- THE CONTRACTOR SHALL NOTIFY THE DESIGN ENGINEER, ALL GOVERNMENTAL AGENCIES HAVING JURISDICTION, AND ALL UTILITY COMPANIES THAT MAY BE AFFECTED BY THE PROPOSED CONSTRUCTION 2 WORKING DAYS PRIOR TO THE START OF CONSTRUCTION TO ARRANGE APPROPRIATE CONSTRUCTION INSPECTIONS.
- THE MUNICIPALITY SHALL HAVE THE AUTHORITY TO INSPECT, APPROVE, AND REJECT THE CONSTRUCTION OF THE IMPROVEMENTS.
- PRIOR TO CONSTRUCTION OF ANY IMPROVEMENTS, THE CONTRACTOR MUST CALL J.U.L.I.E. FOR THE LOCATION AND STAKING OF EXISTING UNDERGROUND UTILITIES (GAS, ELECTRIC, TELEPHONE) AT 1-800-892-0123, 48 HOURS PRIOR TO DIGGING.
- THE CONTRACTOR IS RESPONSIBLE FOR PROVIDING RECORD DRAWINGS PER THE MUNICIPALITY AND/OR ANY OTHER AGENCY REQUIREMENTS. ANY CHANGES TO THE DRAWINGS MUST BE REPORTED TO THE ENGINEER BEFORE WORK PROGRESSES.
- THE PROPOSED IMPROVEMENTS MUST BE CONSTRUCTED IN ACCORDANCE WITH THE ENGINEERING PLANS AS APPROVED BY THE MUNICIPALITY.
- ALL QUANTITIES ARE THE RESPONSIBILITY OF THE CONTRACTOR AND ARE TO BE VERIFIED PRIOR TO CONSTRUCTION. IF DISCREPANCIES OCCUR, THE CONTRACTOR IS TO CONTACT THE DESIGN ENGINEER IMMEDIATELY AND NO WORK IS TO BE DONE UNTIL APPROVED BY THE DESIGN ENGINEER.
- ANY RESTORATION NEEDED BECAUSE OF CONSTRUCTION SHALL BE PROVIDED BY THE CONTRACTOR AT NO ADDITIONAL COST.
- TRENCH BACKFILL MATERIAL (CA-6) IS REQUIRED UNDER AND WITHIN TWO FEET (2') OF SIDEWALKS AND PAVED AREAS. THIS BACKFILL SHALL BE IN SIX INCH (6") LIFTS AND COMPACTED TO 95% STANDARD PROCTOR.
- CONTRACTOR IS TO PROVIDE ALL TEMPORARY SIGNAGE AS REQUIRED BY THE ILLINOIS DEPARTMENT OF TRANSPORTATION AND LOCAL MUNICIPALITIES.
- ALL EXISTING DRAIN TILES THAT ARE ENCOUNTERED ARE TO BE RESTORED TO THEIR ORIGINAL CONDITION OR REROUTED TO THE PROPOSED STORM SEWER SYSTEM.
- RESTORATION OF EXISTING RIGHT-OF-WAYS IS TO BE COMPLETED WITH FOUR INCH (4") MINIMUM TOPSOIL AND SALT TOLERANT SOD UNLESS OTHERWISE NOTED.
- THE WATER SYSTEM CANNOT BE SHUT DOWN WITHOUT CONSENT BY THE OWNER OF THE SYSTEM. ALL FRAME ADJUSTMENTS SHALL BE MADE WITH PRE-CAST CONCRETE RINGS CONFORMING TO ASTM C-39 AND CANNOT EXCEED TWELVE INCHES (12").
- FRAMES SHALL BE SET WITH EZ STIKS (OR EQUAL) MATERIAL TO PREVENT LEAKAGE. THE REINFORCED CONCRETE SECTIONS SHALL BE LAID IN MORTAR, SEALED WITH EXTERNAL SEALING BANDS, OR SEALED USING MASTIC JOINT SEALER. WHEN MASTIC JOINT SEALER IS USED, THE MATERIAL SHALL COMPLETELY FILL THE JOINT AFTER THE UNITS HAVE BEEN BROUGHT TOGETHER.
- STEPS IN STRUCTURES SHALL BE MADE OF COPOLYMER POLYPROPYLENE PLASTIC WITH CONTINUOUS ONE HALF INCH (1/2") GRADE SIXTY (60) STEEL REINFORCEMENT, STEP PSI-PF, AS MANUFACTURED BY M.A. INDUSTRIES, INC., OR APPROVED EQUAL STEPS TO BE SPACED SIXTEEN INCHES (16") ON-CENTER.
- ALL INSTRUMENTS ARE TO BE PROPERLY CALIBRATED PRIOR TO CONSTRUCTION USE.
- ALL PARKING LOT LIGHT POLES ARE TO BE CONSTRUCTED AT THE INTERSECTION OF SUBGRADES BELOW STRUCTURES, PAVEMENTS OR NEW STRUCTURAL FILL WITH A MINIMUM OF 2' CLEARANCE BETWEEN THE BACK OF CURB AND THE EDGE OF THE PARKING LOT LIGHT BASE UNLESS OTHERWISE SPECIFIED.
- GENERAL CONTRACTOR TO BECOME FAMILIAR WITH AND APPLY THE ADA MINIMAL REQUIREMENTS AND REPORT TO ARCHITECT/ENGINEER ANY DISCREPANCIES BEFORE CONSTRUCTION. THIS INCLUDES, BUT NOT LIMITED TO, TRANSITIONS TO EXISTING CONDITIONS.
- CONSTRUCTION MEANS, METHODS AND JOB SITE SAFETY IS THE SOLE AND EXCLUSIVE RESPONSIBILITY OF THE CONTRACTOR.
- PAVING, SIDEWALK, AND CURBING IS NOT TO BE INSTALLED IN SUCH A WAY THAT IT WILL BLOCK THE FLOW OF WATER AWAY FROM THE BUILDING INCLUDING BUT NOT LIMITED TO WEEP HOLES, WICKS, DRAINAGE SCUPPERS OR PIPES, AND LANDSCAPE.

GRADING

- GEOTECHNICAL REPORTS AS PREPARED BY OWNER (OR REPRESENTATIVE) SHALL BE REFERRED TO PRIOR TO EARTH MOVING AND/OR UTILITY CONSTRUCTION.
- UNSTABLE SOIL SHALL BE REMOVED OR STABILIZED.
- CONTRACTOR IS TO MAINTAIN A POSITIVE DRAINAGE PATTERN AT THE END OF EACH DAY. CARE SHOULD BE TAKEN TO INSURE THAT DRAINAGE IS NOT REROUTED OR BLOCKED IN A WAY THAT MAY BE INJURIOUS TO ADJACENT LAND.
- SUBGRADES BELOW STRUCTURES, PAVEMENTS OR NEW STRUCTURAL FILL SHALL BE PROOF ROLLED. IF SOIL RUTS, PUMPS, DEFLECTS EXCESSIVELY OR EXHIBITS EXCESSIVE MOVEMENT OR MOISTURE, THEN THE UNSTABLE SOIL SHALL BE UNDERCUT AND REPLACED WITH STRUCTURAL FILL OR OTHERWISE STABILIZED IN A MANNER THAT MEETS THE COMPACTION REQUIREMENTS. THIS PROCESS IS TO BE OBSERVED BY A GEOTECHNICAL ENGINEER.
- ALL FILLS SHALL BE PLACED IN 8" LIFTS COMPACTED TO A MINIMUM OF 98% STANDARD LABORATORY DENSITY PER ASTM D698 UNDER AND WITHIN INFLUENCE OF THE BUILDING, A MINIMUM OF 95% STANDARD LABORATORY DENSITY PER ASTM D698 UNDER AND WITHIN THE INFLUENCE OF ALL OTHER IMPERVIOUS AREAS, AND A MINIMUM OF 90% STANDARD LABORATORY DENSITY PER ASTM D698 IN ALL LANDSCAPE AREAS.
- EROSION CONTROL SHALL BE PROVIDED PRIOR TO ANY DISTURBANCES. SEE EROSION CONTROL PLANS FOR ADDITIONAL SPECIFICATIONS AND DETAILS.
- PROVIDE TOPSOIL RESPREAD PER THE FOLLOWING UNLESS OTHERWISE NOTED:
 - 4" MINIMUM IN GRASS OR SOD AREAS.
 - 6" MINIMUM IN PLANTING AREAS.
 - 12" MINIMUM IN LANDSCAPE ISLANDS.
- ALL TOPSOIL TO BE FRIABLE (NOT COHESIVE), WEED FREE, AND FREE OF ROCKS, LARGE ROOTS AND UNNATURAL DEBRIS.
- ALL GRADING IS TO BE CONSTRUCTED TO WITHIN A TOLERANCE OF 0.10' OF THE PROPOSED ELEVATIONS. SEE PAVEMENT SPECIFICATIONS FOR PAVEMENT TOLERANCES.

PAVEMENT

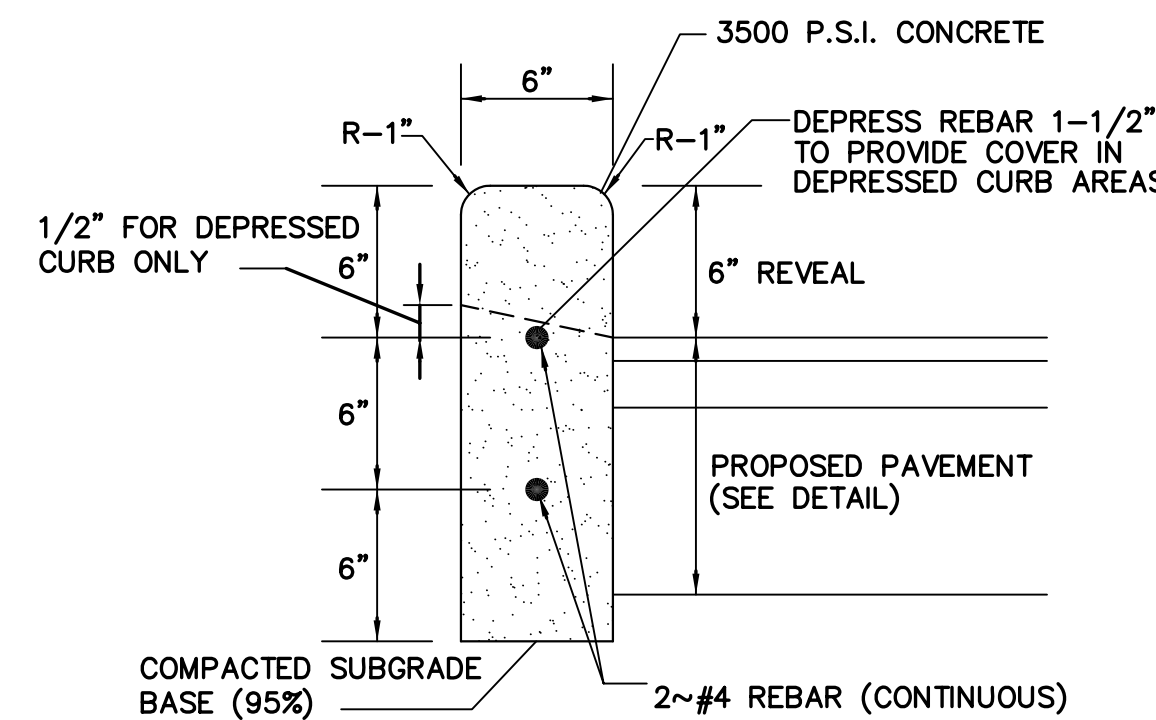
- ALL PAVEMENTS SHALL BE DESIGNED AND CONSTRUCTED IN ACCORDANCE WITH THE FOLLOWING REFERENCES AS THEY APPLY: STANDARD SPECIFICATIONS FOR ROAD AND BRIDGE CONSTRUCTION, ILLINOIS DEPARTMENT OF TRANSPORTATION, LATEST EDITION; MANUAL FOR STRUCTURAL DESIGN OF PORTLAND CEMENT CONCRETE PAVEMENT, ILLINOIS DEPARTMENT OF TRANSPORTATION, LATEST EDITION; DESIGN MANUAL, ILLINOIS DEPARTMENT OF TRANSPORTATION, LATEST EDITION.
- ALL PAVED AREAS SHALL BE COMPACTED TO 95% STANDARD LABORATORY DENSITY, PER I.D.O.T. SECTION 301. BEFORE THE BASE COURSE MATERIALS ARE INSTALLED, THE SUB-GRADE SHALL BE PROOF-ROLLED TO THE SATISFACTION OF THE ENGINEER, HIS AGENT, AND/OR THE SOILS ENGINEER. COMPACTION AND DENSITY TESTS SHALL BE TAKEN AT THE OWNER'S OPTION.
- ALL CONCRETE TO BE MINIMUM 3500 PSI, SALT TOLERANT, 6 BAG MIX WITH A SPRAY ON SEALER.
- EXPANSION JOINTS SHALL BE 3/4" WATERPROOF PREFABRICATED FELT BOARD TYPE MATERIAL THE FULL DEPTH OF THE CONCRETE SECTION.
- BINDER COURSE TO BE PLACED WHEN TEMPERATURE IS AT LEAST 40°F AND RISING. SURFACE COURSE TO BE PLACED WHEN TEMPERATURE IS AT LEAST 45°F AND RISING.
- ALL PROPOSED PAVEMENT AND CURBS ARE TO BE CONSTRUCTED TO WITHIN A TOLERANCE OF 0.05' OF THE PROPOSED ELEVATIONS EXCEPT IN THE ACCESSIBLE STALLS OR ACCESSIBLE ROUTES.
- ALL PROPOSED PAVEMENT, CURBS, SIDEWALKS, RAMPS, ETC. WITHIN THE ACCESSIBLE STALLS AND ACCESSIBLE ROUTES SHALL BE CONSTRUCTED PER THE ILLINOIS ACCESSIBILITY CODE (LATEST EDITION) WITH ZERO CONSTRUCTION TOLERANCE. MAXIMUM SLOPES AS DEFINED IN THE CODE SHALL NOT BE EXCEEDED. THESE MAXIMUM SLOPES INCLUDE, BUT ARE NOT LIMITED TO:
 - PARKING SPACES AND ACCESS AISLES SHALL BE LEVEL WITH SURFACE SLOPES NOT EXCEEDING 1:50 (2.00%) IN ALL DIRECTIONS.
 - AN ACCESSIBLE ROUTE WITH A RUNNING SLOPE GREATER THAN 1:20 (5.00%) IS A "RAMP" AND SHALL COMPLY WITH THE "RAMP" REQUIREMENTS WHICH INCLUDE, BUT ARE NOT LIMITED TO, HAND RAILS.
 - NOWHERE SHALL THE CROSS SLOPE OF AN ACCESSIBLE ROUTE EXCEED 1:50 (2.00%).
 - THE MAXIMUM SLOPE OF A "RAMP" IN NEW CONSTRUCTION SHALL BE 1:12 (8.33%). THE MAXIMUM RISE FOR ANY RUN SHALL BE 30 INCHES.
- PRIOR TO SEAL COATING, ALL ASPHALT AREAS ARE TO BE CLEAN AND DRY. ALL LOOSE MATERIALS ARE TO BE REMOVED. ALL GREASE TO BE REMOVED. ALL CRACKS ARE TO BE FILLED PER IDOT STANDARDS. ALL PAINTED STRIPING TO BE MODIFIED SHALL BE "BLACKED OUT" WITH BLACK PAINT (1 COAT MINIMUM, 2 COATS IF NECESSARY), ALLOWED TO THOROUGHLY DRY PER PAINT MANUFACTURER, PRIOR TO SEAL COATING. ALL AREAS THAT ARE ADJACENT TO THE SEAL COATED AREA ARE TO BE MASKED (I.E. SIDEWALKS, CONCRETE SURFACES, BRICK SURFACES, GUTTERS, CATCHBASINS/INLETS, ETC.) PRIOR TO SEAL COATING TO BE APPLIED. AIR TEMPERATURE TO BE 50°F AND RISING. APPLICATION RATE TO BE SUCH THAT ALL SURFACES OF THE ASPHALT BEING COATED IS THOROUGHLY COVERED IN ONE COAT. SPRAYING IS NOT ALLOWED. ALL SEAL COATING SHOULD BE APPLIED BY SQUEEGEE OR BRUSHES. THE BITUMINOUS SEAL COATING MATERIAL SHOULD NOT BE ALLOWED TO ENTER STORM SEWERS AND SHOULD BE ALLOWED TO DRY AT LEAST 18 HOURS PRIOR TO VEHICULAR USE. CRACK FILLER AND SEAL COATING MATERIALS ARE TO BE FREE OF COAL TAR.



NOTES:

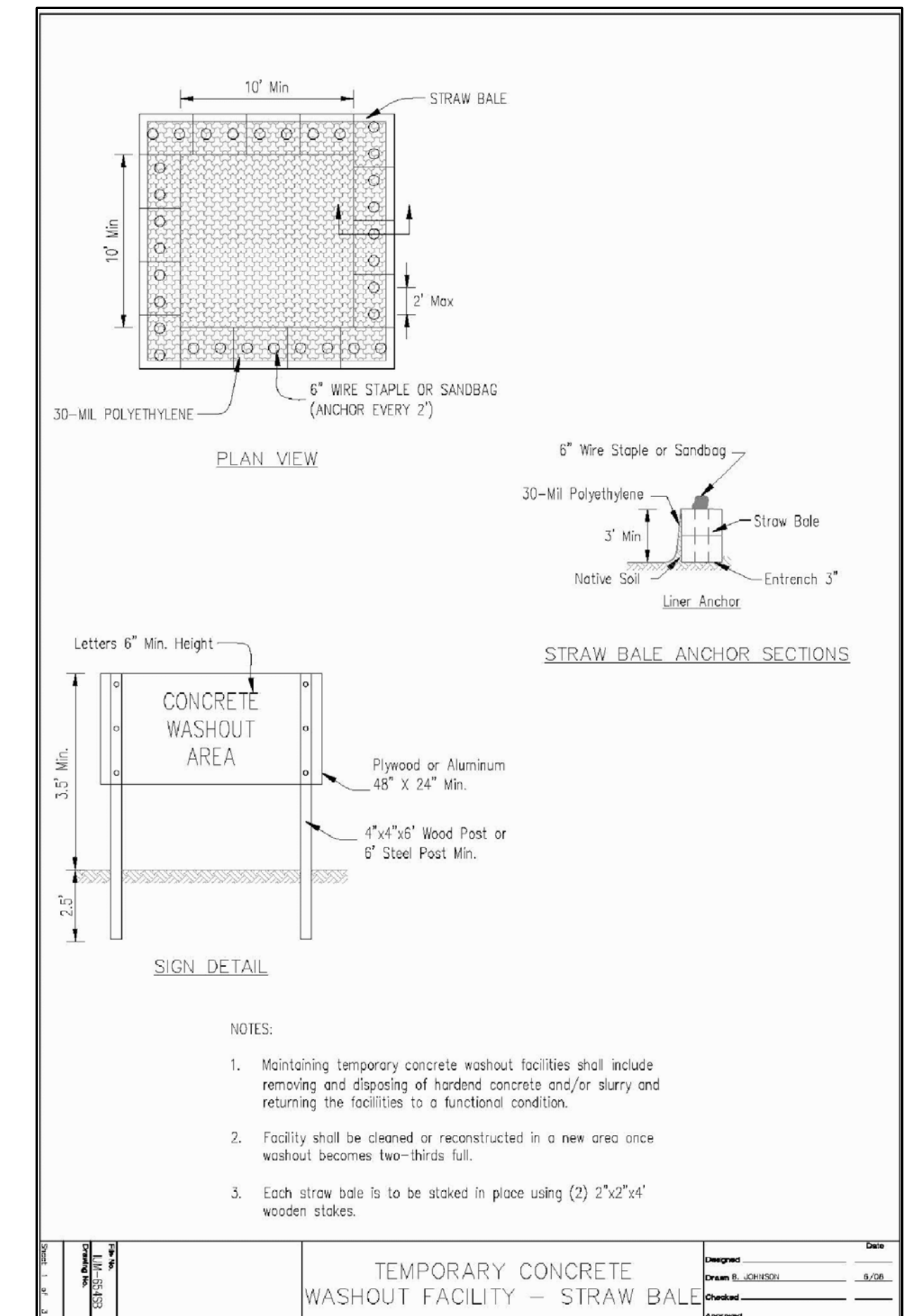
- TOP FLANGE FABRICATED FROM 1 1/4" x 1 1/4" x 1/8" ANGLE BASE RIM FABRICATED FROM 1 1/2" x 1/2" x 1/8" CHANNEL. HANDLES AND SUSPENSION BRACKETS FABRICATED FROM 1 1/4" x 1/4" FLAT STOCK
- ALL DOMESTIC STEEL IS TO CONFORM TO ASTM-A36.
- SEDIMENT BAG IS TO BE FABRICATED FROM 4 OZ./SQ.YD. NON-WOVEN POLYPROPYLENE GEOTEXTILE REINFORCED WITH POLYESTER MESH WITH A MINIMUM FLOW RATE OF 145 GAL./MIN./SQ. FT. BAG IS TO BE DESIGNED FOR A MINIMUM SILT AND DEBRIS CAPACITY OF 2 CU. FT. BAG IS TO BE SECURED TO BASE RIM WITH A STAINLESS STEEL STRAP AND LOCK.

INLET BASKET FILTER FOR TYPE 1 INLETS



NOTES:

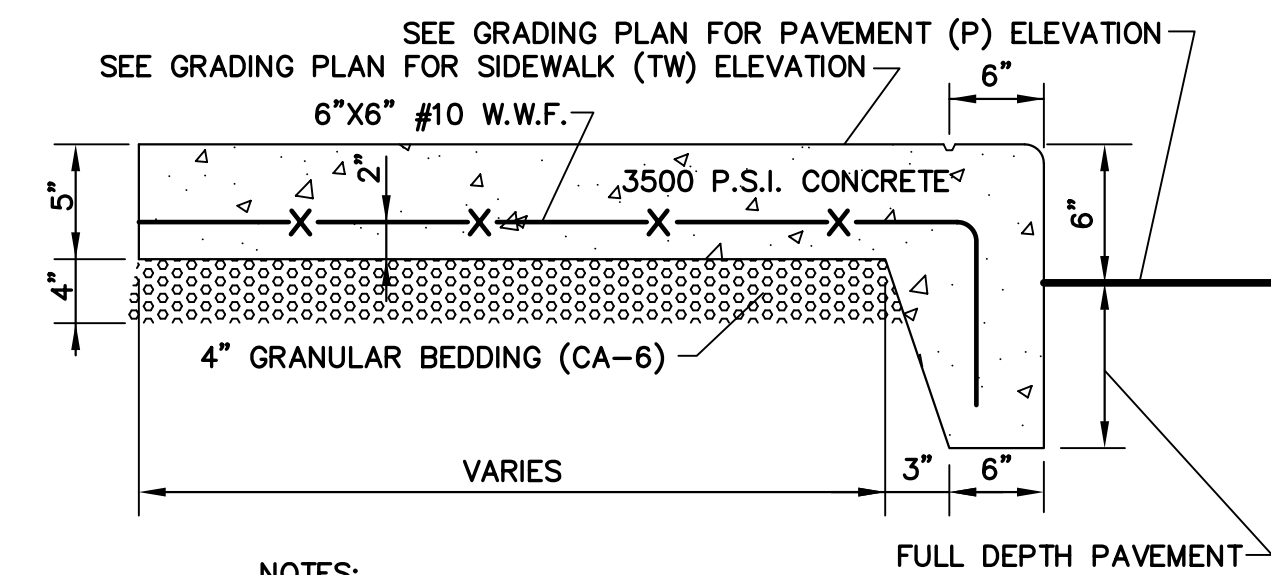
- PROVIDE 1/2" EXPANSION JOINTS EVERY 50' O.C.
- PROVIDE HAND TOOLED CONTRACTION JOINTS EVERY 10' O.C.



TEMPORARY CONCRETE WASHOUT FACILITY - STRAW BALES

NOTES:

- Maintaining temporary concrete washout facilities shall include removing and disposing of hardened concrete and/or slurry and returning the facilities to a functional condition.
- Facility shall be cleaned or reconstructed in a new area once washout becomes two-birds full.
- Each straw bale is to be stored in place using (2) 2"x2" wooden stakes.

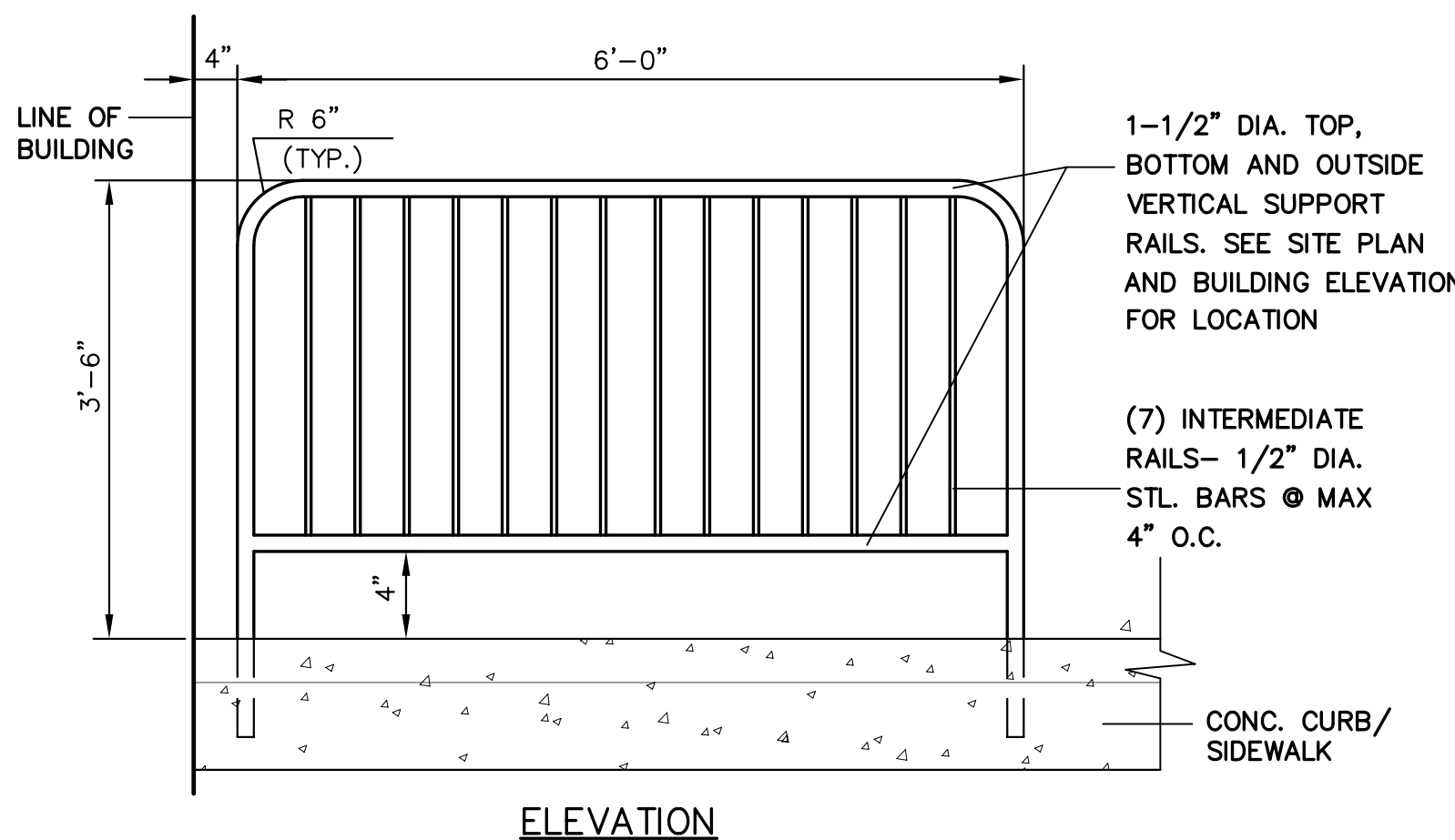


NOTES:

- PROVIDE CONTROL JOINTS AT 5' O.C.
- PROVIDE EXPANSION JOINTS AT 50' O.C.

TURNED DOWN EDGE SIDEWALK

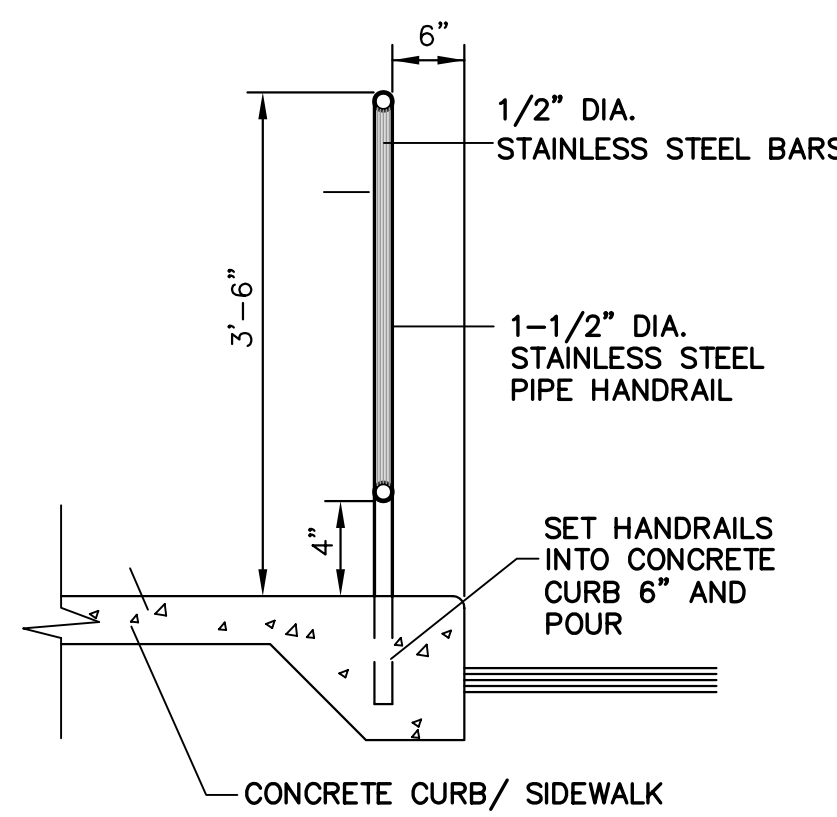
WIDE BARRIER CURB



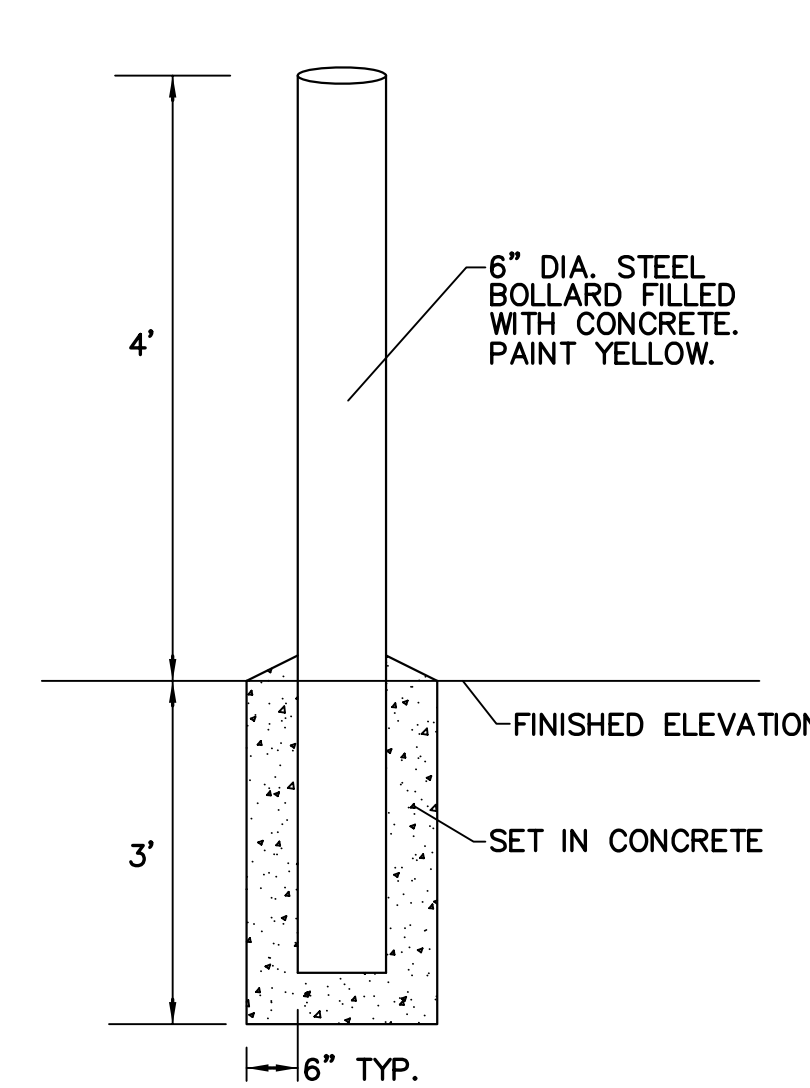
ELEVATION

HAND RAIL DETAIL

TYPE 'C' BARRIER CURB



SECTION



BOLLARD

PROJECT DETAILS AND SPECIFICATIONS

DATE	04/29/13
REVISIONS	NO REVISIONS
NO.	
Prepared For:	Langley Design Group 158 W. Main Street Lena, IL 61048
Prepared By:	McDONALD'S - ST. CHARLES, IL 3900 E. Main Street St. Charles, Illinois
CHECKED BY:	J. MILLER
DESIGN BY:	M. BAILEY
DRAWN BY:	D. OLSON
DATE:	MARCH 22, 2013
SCALE:	NONE
PROJECT NO.:	05-100.01

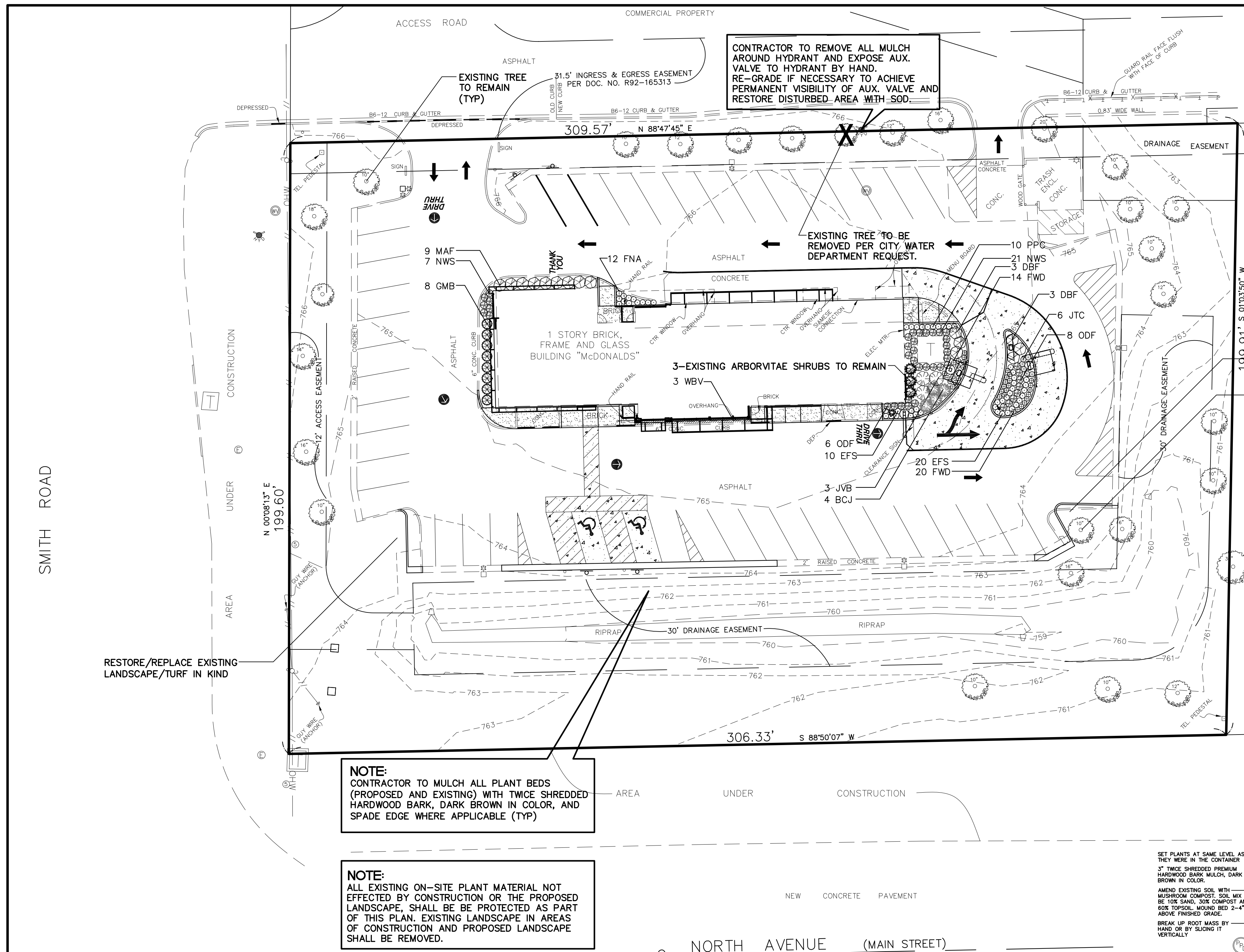
Watermark Engineering Resources, Ltd

2631 Ginger Woods Parkway, Suite 100, Aurora, IL 60502
phone 630-375-1800 fax 630-326-9600 www.watermark-engineering.com

PROJECT DETAILS AND SPECIFICATIONS

C-5

LC #12-1700



GENERAL NOTES:
 1. THESE PLANS ARE BASED ON THE BOUNDARY AND TOPOGRAPHIC SURVEY (SURVEY PROJECT#95-14463-13) DATED 01/28/13
 PREPARED BY: GENTILE AND ASSOCIATES, INC
 550 E. ST. CHARLES PLACE, LOMBARD, IL 60148
 (630) 916-6262
 2. PRIOR TO CONSTRUCTION, CONTRACTOR TO CONTACT THE DESIGN ENGINEER AND ARCHITECT TO VERIFY THAT THEY ARE WORKING FROM THE MOST CURRENT SET OF PLANS AND SPECIFICATIONS.

ON SITE PARKING DATA

REGULAR SPACES	45
ADA ACCESSIBLE SPACES	2
TOTAL SPACES	47

PARKING REQ. = 10 SPACES/1,000 S.F. OF BLDG. AREA (4,736 S.F. BUILDING*10 SPACES/1,000 S.F. = 47.4 OR 47 PARKING SPACES REQUIRED.)

47 PARKING SPACES PROP. = 47 PARKING SPACES REQ.

DRIVE-THRU STACKING DATA

15 STACKING SPACES PER DRIVE-THRU LANE REQUIRED

15 STACKING SPACES PROP. = 15 STACKING SPACES REQ.

SITE DATA

BUILDING AREA	= 4,736 S.F.
F.A.R.	= .08
LOT AREA	= 61,483 S.F. (1.41 AC.)
PROPOSED IMPERVIOUS AREA	= 30,763 S.F. (0.70 AC.)(50%)
PROPOSED PERVIOUS AREA	= 30,720 S.F. (0.71 AC.)(50%)
EXISTING IMPERVIOUS AREA	= 30,780 S.F. (0.70 AC.)(50%)
EXISTING PERVIOUS AREA	= 30,703 S.F. (0.71 AC.)(50%)
PROP. PERVIOUS AREA	30,720 S.F. > EX. PERVIOUS 30,703 S.F.
TOTAL DISTURBED AREA	= 1,981 S.F.
1,981 S.F. < 5,000 S.F. THEREFORE	NO DETENTION IS REQUIRED

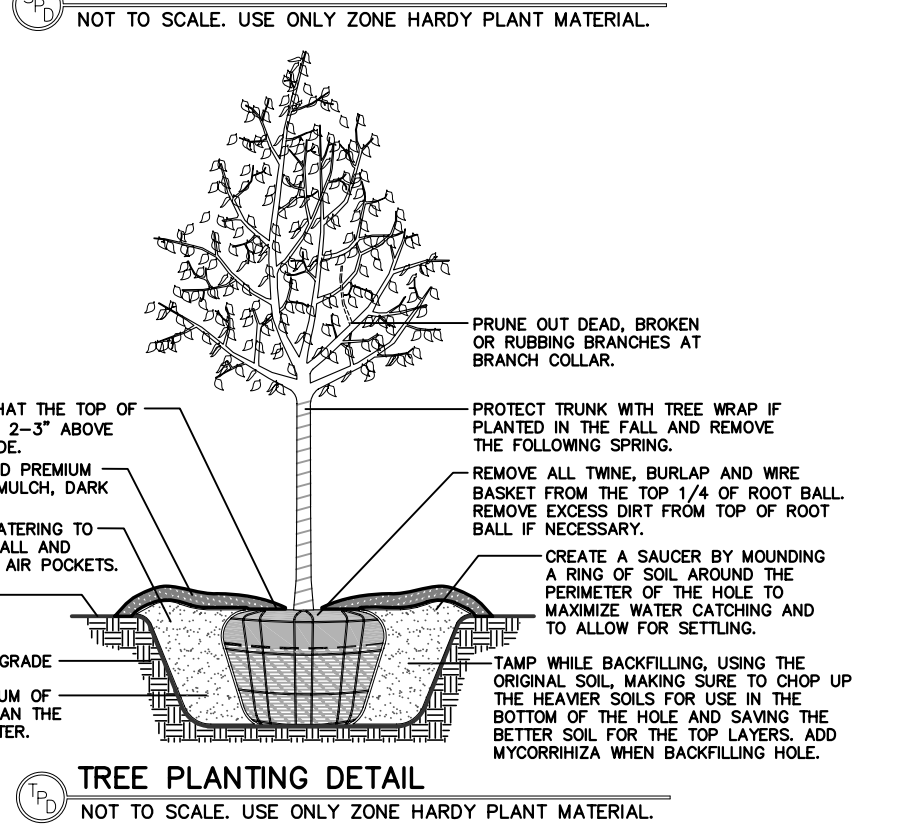
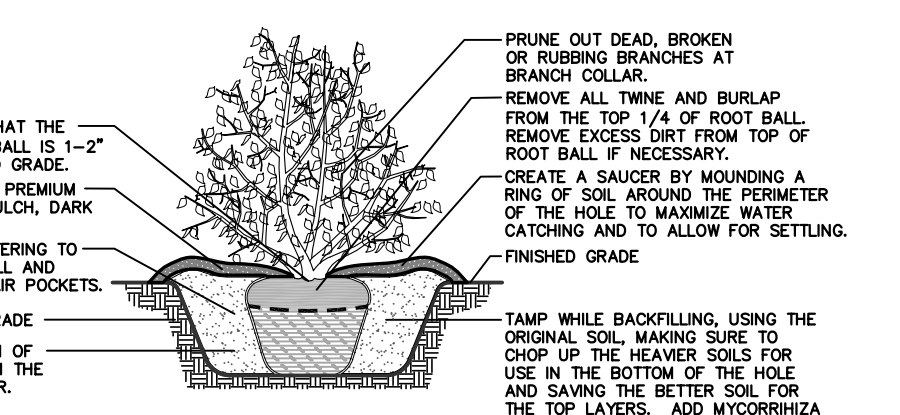
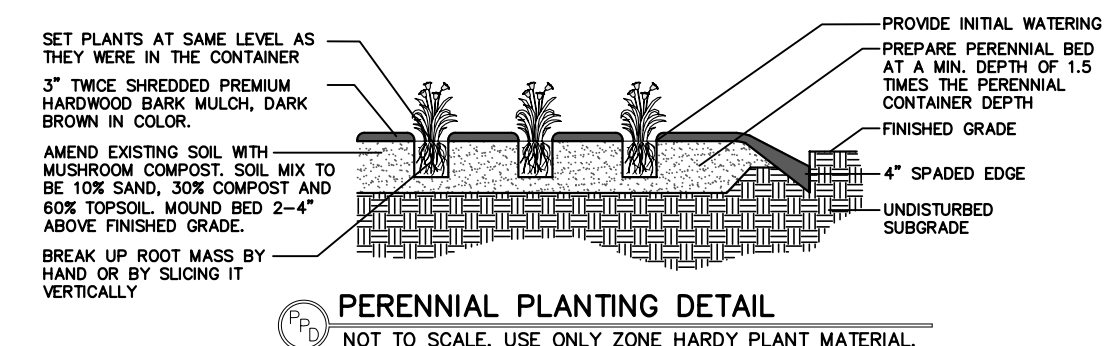
PLANT LIST

FLOWERING AND EVERGREEN SHRUBS

QTY	ABRV.	BOTANICAL NAME			
6	DBF	Forsythia viridissima 'Bronxensis'	Dwarf Bronx Forsythia	5	Gal.
9	MAF	Fothergilla gardenii 'Mt.Airy'	Dwarf Mt.Airy Fothergilla	5	Gal.
3	JVB	Viburnum x juddi	Judd Viburnum	5	Gal.
8	GMB	Buxus 'Green Mountain'	Green Mountain Boxwood	5	Gal.
4	BCJ	Juniperus horizontalis 'Blue Chip'	Blue Chip Juniper	5	Gal.

PERENNIALS, ORNAMENTAL GRASS AND GROUNDCOVERS

QTY	ABRV.	BOTANICAL NAME			
14	ODF	Calamagrostis x acutiflora 'Overdam'	Overdam Feather Reed Grass	3	Gal.
6	JTC	Coreopsis 'Jethro Tull'	Jethro Tull Coreopsis	1	Gal.
34	FWD	Dianthus gratianopolitanus 'Firewitch'	Firewitch Dianthus	1	Gal.
10	PPC	Heuchera micrantha 'Palace Purple'	Palace Purple Coral Bells	1	Gal.
30	EFS	Salvia nemorosa 'East Friesland'	East Friesland Salvia	1	Gal.
28	NWS	Panicum virgatum 'Northwind'	Northwind Switch Grass	1	Gal.



LANDSCAPE NOTES

- ALL PLANT MATERIAL SHALL BE HARDY TO THE ZONE IT IS BEING PLANTED IN. ALL TREES AND SHRUBS ARE TO BE BALLED AND BURLAPED UNLESS OTHERWISE NOTED AND SHALL BE GROWN IN ACCORDANCE WITH THE STANDARDS SET FORTH BY THE AMERICAN NURSERY AND LANDSCAPE ASSOCIATION.
- PLANT SIZES CALLED OUT ON THIS PLAN ARE THE MINIMUM SIZE REQUIRED. PLANTS WHICH FAIL TO MEET THE SIZES LISTED, SHALL BE REJECTED AT THE EXPENSE OF THE CONTRACTOR.
- CONTRACTOR MUST VERIFY ALL MATERIAL QUANTITIES AS DEPICTED ON THE DRAWING. THE PLANT LIST PROVIDED ON THIS PLAN IS FOR CONVENIENCE ONLY.
- SUBSTITUTIONS MAY NOT BE MADE WITHOUT THE APPROVAL OF THE LANDSCAPE ARCHITECT/DESIGNER.
- THE CONTRACTOR SHALL NOTIFY ALL APPROPRIATE AGENCIES AND UTILITY LOCATORS PRIOR TO CONSTRUCTION. CONTRACTOR SHALL NOT BEGIN ANY WORK ON-SITE UNTIL ALL UTILITIES HAVE BEEN LOCATED. CONTRACTOR SHALL OBTAIN "AS-BUILT" PLANS FOR ALL IRRIGATION AND LIGHTING PRIOR TO CONSTRUCTION.
- CONTRACTOR RESPONSIBLE FOR PROTECTING ALL UTILITIES INCLUDING IRRIGATION AND LIGHTING. ALL DAMAGE SHALL BE REPAIRED TO A NEW CONDITION IN ACCORDANCE WITH ALL CODES AT NO COST TO THE OWNER - SEE NOTE 5.
- ALL UNSUITABLE MATERIAL (CONCRETE, CRUSHED ASPHALT, BRICK ETC.) SHALL BE REMOVED PRIOR TO PLANTING AND SHALL BE THE RESPONSIBILITY OF THE LANDSCAPE CONTRACTOR.
- A MIXTURE OF 30% MUSHROOM COMPOST, 10% SAND AND 60% TOPSOIL SHALL BE ROTOTILLED INTO ALL PERENNIAL, ANNUAL AND SHRUB PLANTING BEDS PRIOR TO THE INSTALLATION OF THE PLANT MATERIAL. A SLOW RELEASE, GRANULAR FERTILIZER SHALL BE APPLIED TO ALL ANNUAL AND PERENNIAL PLANTING BEDS AT THE RECOMMENDED RATE, AND SHALL BE ROTOTILLED IN WITH THE TOPSOIL AND MUSHROOM COMPOST MIXTURE BEFORE THE PLANT MATERIAL IS INSTALLED.
- CONTRACTOR TO PROVIDE THOROUGH INITIAL WATERING OF ALL PLANTINGS WITHIN 12 HOURS OF INSTALLATION TO ENSURE ALL AIR POCKETS HAVE BEEN REMOVED AROUND ROOT BALL.
- ALL PLANT BED AREAS ARE TO BE MULCHED WITH 3" OF DOUBLE SHREDDED HARDWOOD MULCH AND SHALL BE SEPARATED WITH A SPADE EDGE ALONG PERIMETERS ADJACENT TO TURF AREAS. FINAL GRADE (AFTER SETTLING) SHALL BE 1" BELOW ADJACENT CURBS.
- ALL TURF AREAS ARE TO BE A MINIMUM OF A FIVE WAY BLUEGRASS BLEND, UNLESS OTHERWISE NOTED. CONTRACTOR IS RESPONSIBLE FOR WATERING ALL INSTALLED TURF AREAS UNTIL TIME OF KNOTTING.
- ALL TRANSPLANTED PLANT MATERIAL MUST BE INSTALLED IMMEDIATELY UPON EXTRACTION FROM ITS ORIGINAL LOCATION, UNLESS SPECIFIC ARRANGEMENTS HAVE BEEN MADE WITH THE LANDSCAPE ARCHITECT/DESIGNER. SHOULD IT BECOME UNREASONABLE TO TRANSPLANT ANY OF THE PLANT MATERIAL, AS DESCRIBED IN THIS PLAN, DUE TO SITE CONSTRAINTS OR OTHERWISE, CONTRACTOR IS RESPONSIBLE FOR CONTACTING LANDSCAPE ARCHITECT/DESIGNER TO MAKE ALTERNATIVE ARRANGEMENTS.
- CONTRACTOR IS RESPONSIBLE FOR ALL PLANT MATERIAL REMAINING PLUMB UNTIL THE END OF THE GUARANTEE PERIOD. PLANTS MAY NOT BE STAKED UNLESS APPROVED BY THE LANDSCAPE ARCHITECT/DESIGNER.
- CONTRACTOR TO GUARANTEE PLANT MATERIAL AND LABOR FOR A MINIMUM OF ONE YEAR FROM THE TIME OF INSTALLATION.
- THE CONTRACTOR IS RESPONSIBLE FOR BECOMING FAMILIAR WITH AND ABIDING BY THE LANDSCAPE ORDINANCES FOR THE SPECIFIC JURISDICTION IN WHICH THE WORK IS TAKING PLACE.
- BIDDERS SHALL BE RESPONSIBLE FOR EXAMINING THE SITE TO BECOME FAMILIAR WITH THE SPECIFIC SITE CONSTRAINTS.
- THE CONTRACTOR SHALL FURNISH ALL LABOR, MATERIALS AND EQUIPMENT NECESSARY FOR THE COMPLETION OF ALL THE ITEMS SHOWN ON THE PLANS.
- IF IRRIGATION IS DEEMED NECESSARY, THE DESIGN AND INSTALLATION OF THE IRRIGATION SYSTEM SHALL BE THE RESPONSIBILITY OF THE LANDSCAPE CONTRACTOR.
- IF EXISTING IRRIGATION IS PRESENT ON SITE, CONTRACTOR SHALL ADJUST, ADD TO, OR SUBTRACT FROM, THE EXISTING IRRIGATION SYSTEM TO ACCOMMODATE ANY PROPOSED ALTERATIONS/ADDITIONS TO THE EXISTING LANDSCAPING.
- PROVIDE TOPSOIL RE-SPREAD PER THE FOLLOWING UNLESS OTHERWISE NOTED:
 - 4" MINIMUM IN GRASS OR SOD AREAS
 - 6" MINIMUM IN PLANTING AREAS
 - 12" MINIMUM IN LANDSCAPE ISLANDS

NORTH AVENUE (MAIN STREET)
 ILLINOIS ROUTE 64



LANDSCAPE PLAN DESIGNED BY
 DAN OLSON, ISA CERTIFIED ARBORIST



LANDSCAPE PLAN

DATE: 04/29/13
 REVISIONS: PER CITY REVIEW LETTER DATED 04.04.13
 NO. 1

Prepared For:
 Lingie Design Group
 158 W. Main Street
 Lena, IL 61048

McDonald's - ST. CHARLES, IL
 3900 E. Main Street
 St. Charles, Illinois

Checked By: J. MILLER
 Design By: M. BAILEY
 Drawn By: D. OLSON
 Date: MARCH 22, 2013
 Scale: 1" = 20'
 Project No.: 05-100.01

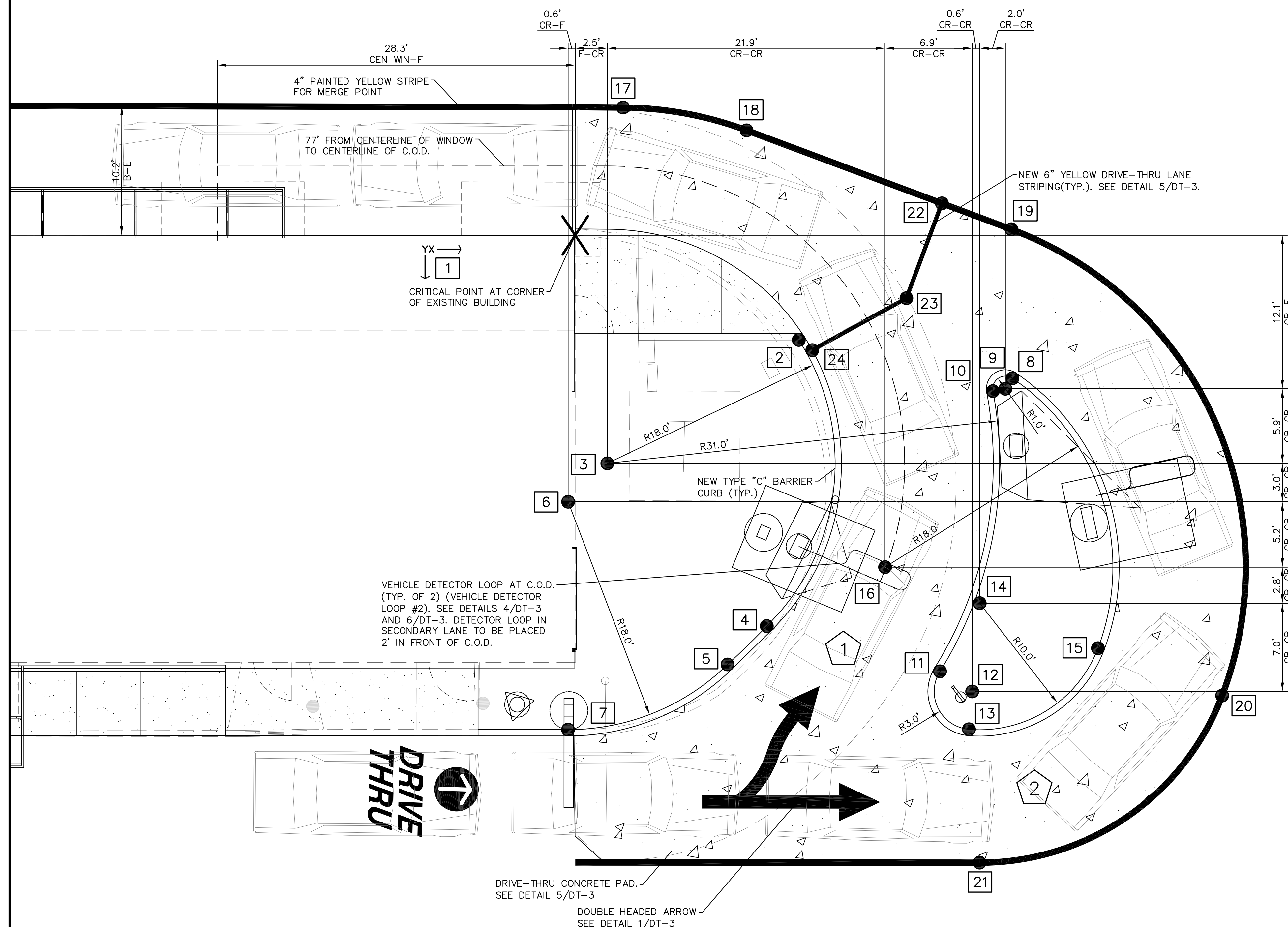
L-1
 LC #12-1700

LANDSCAPE PLAN

GENERAL NOTES:

1. THE REGIONAL CONSTRUCTION MANAGER IS TO REVIEW AND APPROVE ALL DRIVE-THRU LAYOUTS. A DRIVE-THRU IS FINAL, AND CONSIDERED "RED", ONCE APPROVED. NO CHANGES ARE TO BE MADE AFTER THIS POINT.
2. DUE TO THE EXACT GEOMETRY REQUIRED FOR THE EFFICIENT OPERATION OF THIS DRIVE-THRU LAYOUT, IT IS RECOMMENDED THAT ALL DRIVE-THRU EQUIPMENT AND PAVEMENT IMPROVEMENTS TO BE FIELD LOCATED BY A LICENSED SURVEYOR.
3. THE PLACEMENT OF THE CODs AND ANY ADDITIONAL SIGNAGE SHOULD BE SUCH THAT IT PREVENTS, OR MINIMIZES, BLOCKING THE CUSTOMER'S VIEW OF THE MENU BOARD WHILE ORDERING.
4. THESE DIMENSIONS ARE CRITICAL TO THE FUNDAMENTAL LAYOUT OF THE SIDE BY SIDE DESIGN.
5. IF DIMENSIONS ARE MODIFIED CONTACT DESIGN ENGINEER IMMEDIATELY.
6. VERIFY WITH SUPPLIER OF DRIVE-THRU EQUIPMENT THAT MOST CURRENT EQUIPMENT IS BEING UTILIZED.

COORDINATES			
Pavement	X	Y	DESCRIPTION
1	0.00'	0.00'	CRITICAL STARTING POINT FOR ALL COORDINATES
2	17.66'	8.27'	TO BACK OF CURB AT START OF RADIUS
3	2.54'	18.02'	TO CENTER OF RADIUS(18' 31")
4	15.13'	30.88'	TO BACK OF CURB AT END OF RADIUS
5	12.04'	33.91'	TO BACK OF CURB AT START OF RADIUS
6	-0.56'	21.06'	TO CENTER OF RADIUS(18')
7	-0.57'	39.06'	TO BACK OF CURB AT END OF RADIUS
8	34.55'	11.30'	TO BACK OF CURB AT START/END OF RADIUS
9	33.99'	12.13'	TO CENTER OF RADIUS(1')
10	33.00'	12.31'	TO BACK OF CURB AT END/START OF RADIUS
11	28.82'	34.45'	TO BACK OF CURB AT END/START OF RADIUS
12	31.36'	36.04'	TO CENTER OF RADIUS(3')
13	31.11'	39.03'	TO BACK OF CURB AT END/START OF RADIUS
14	31.96'	29.07'	TO CENTER OF RADIUS(10')
15	41.30'	32.63'	TO BACK OF CURB AT END/START OF RADIUS
16	24.48'	28.22'	TO CENTER OF RADIUS(18')
17	3.78'	-10.10'	TO STRIPING/CONCRETE
18	13.54'	-8.29'	TO STRIPING/CONCRETE
19	34.46'	-0.48'	TO STRIPING/CONCRETE
20	51.12'	36.37'	TO STRIPING/CONCRETE
21	31.95'	49.57'	TO STRIPING/CONCRETE
22	28.97'	-2.53'	TO MERGE POINT STRIPING
23	26.17'	4.97'	TO MERGE POINT STRIPING
24	18.73'	9.08'	TO MERGE POINT STRIPING



1
DT-1

1 PRIMARY DRIVE-THRU LANE

2 SECONDARY DRIVE-THRU LANE

1" = 5'-0"

DRIVE-THRU PAVEMENT PLAN

DT-1

LC #12-1700

DATE: 04/29/13

REVISIONS: PER CITY REVIEW LETTER DATED 04.04.13

NO. 1

Prepared For:

Lingle Design Group
158 W. Main Street
Lena, IL 61048

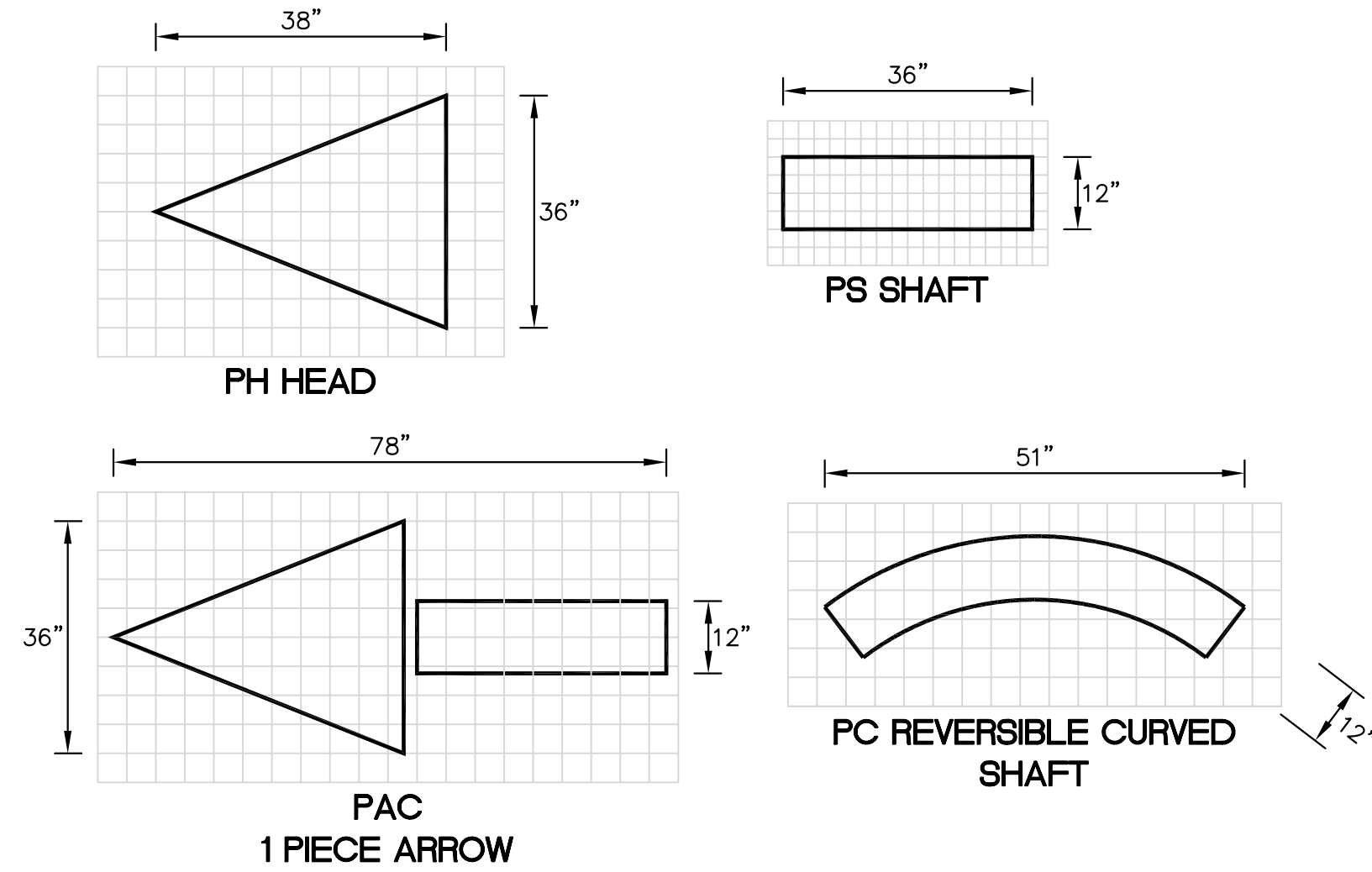
McDonald's - ST. CHARLES, IL
3900 E. Main Street
St. Charles, Illinois

Prepared By:

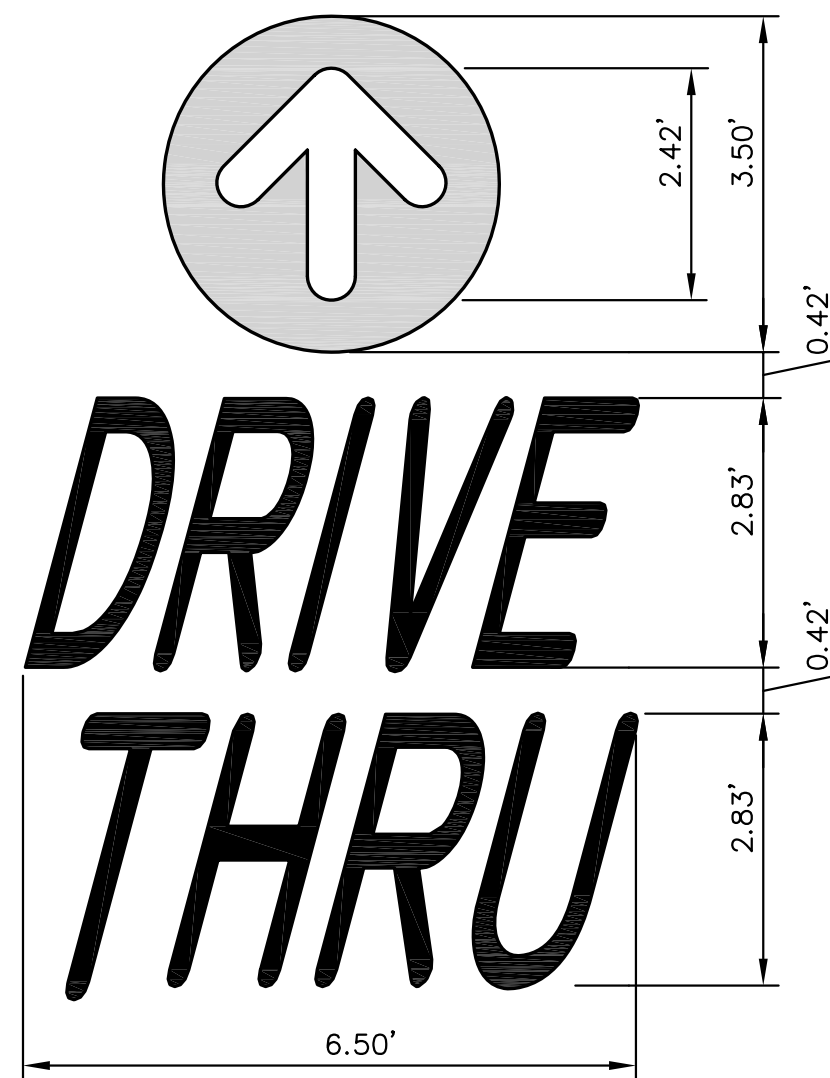
Watermark Engineering Resources, Ltd.
2631 Ginger Woods Parkway, Suite 100, Aurora, IL 60502
phone 630-375-1800 fax 630-236-9600 www.watermark-engineering.com

CHECKED BY: J. MILLER
DESIGN BY: M. BAILEY
DRAWN BY: D. OLSON
DATE: MARCH 22, 2013
SCALE: 1" = 5'
PROJECT NO.: 05-100.01

PARKING LOT ARROWS (MEETS NO STATE OR FEDERAL DESIGN STANDARDS)

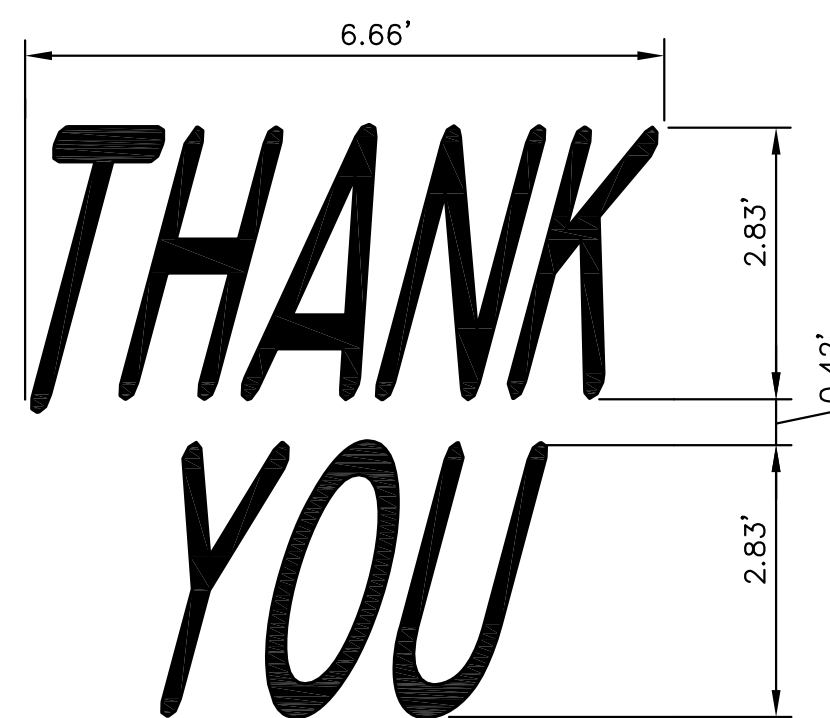


1 TYPICAL PAVEMENT MARKING DETAIL



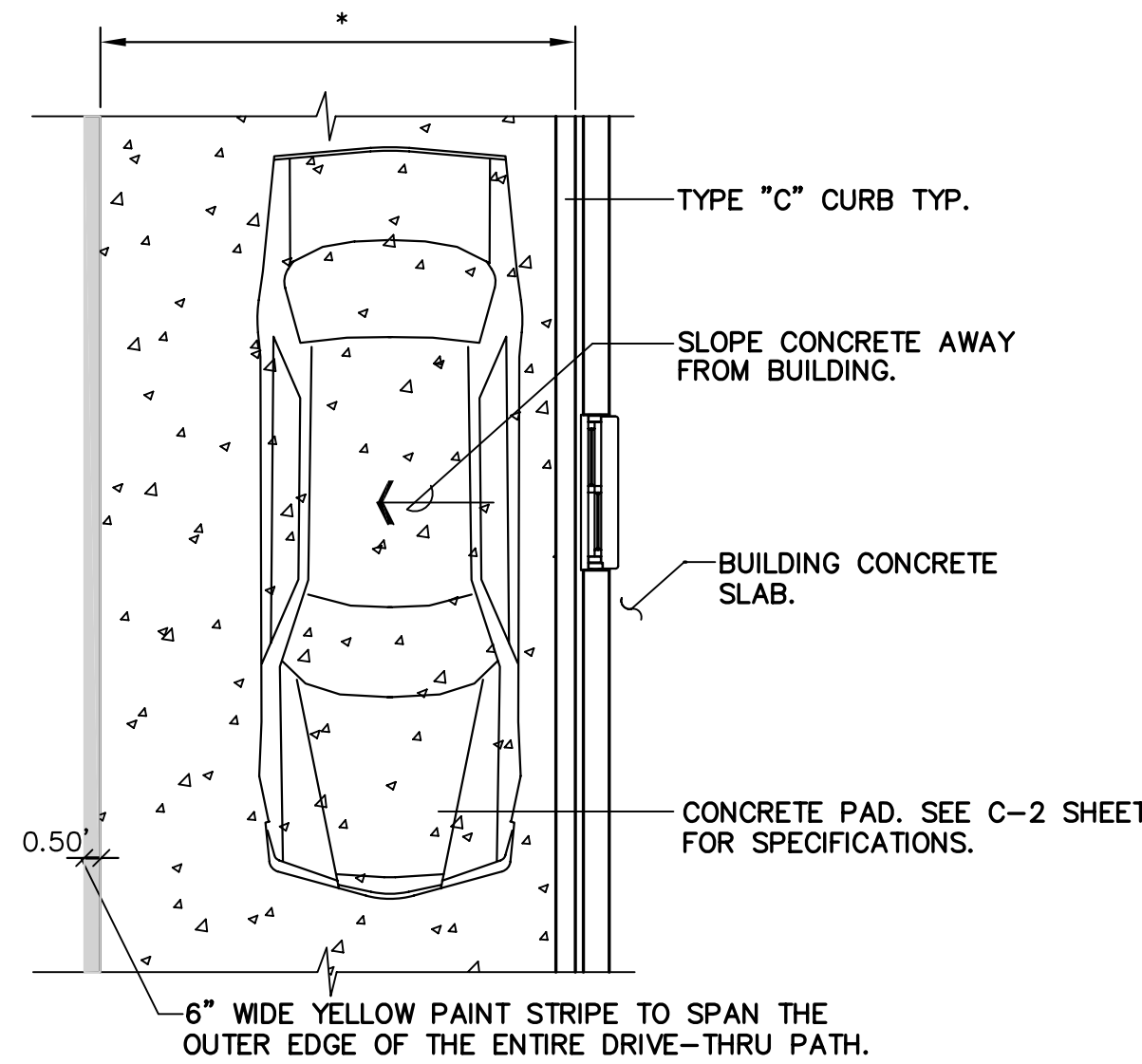
NOTE: ALL TEXT AND ARROW SHALL BE PAINTED YELLOW.

2 PAINTED "DRIVE-THRU" WITH ARROW DETAIL



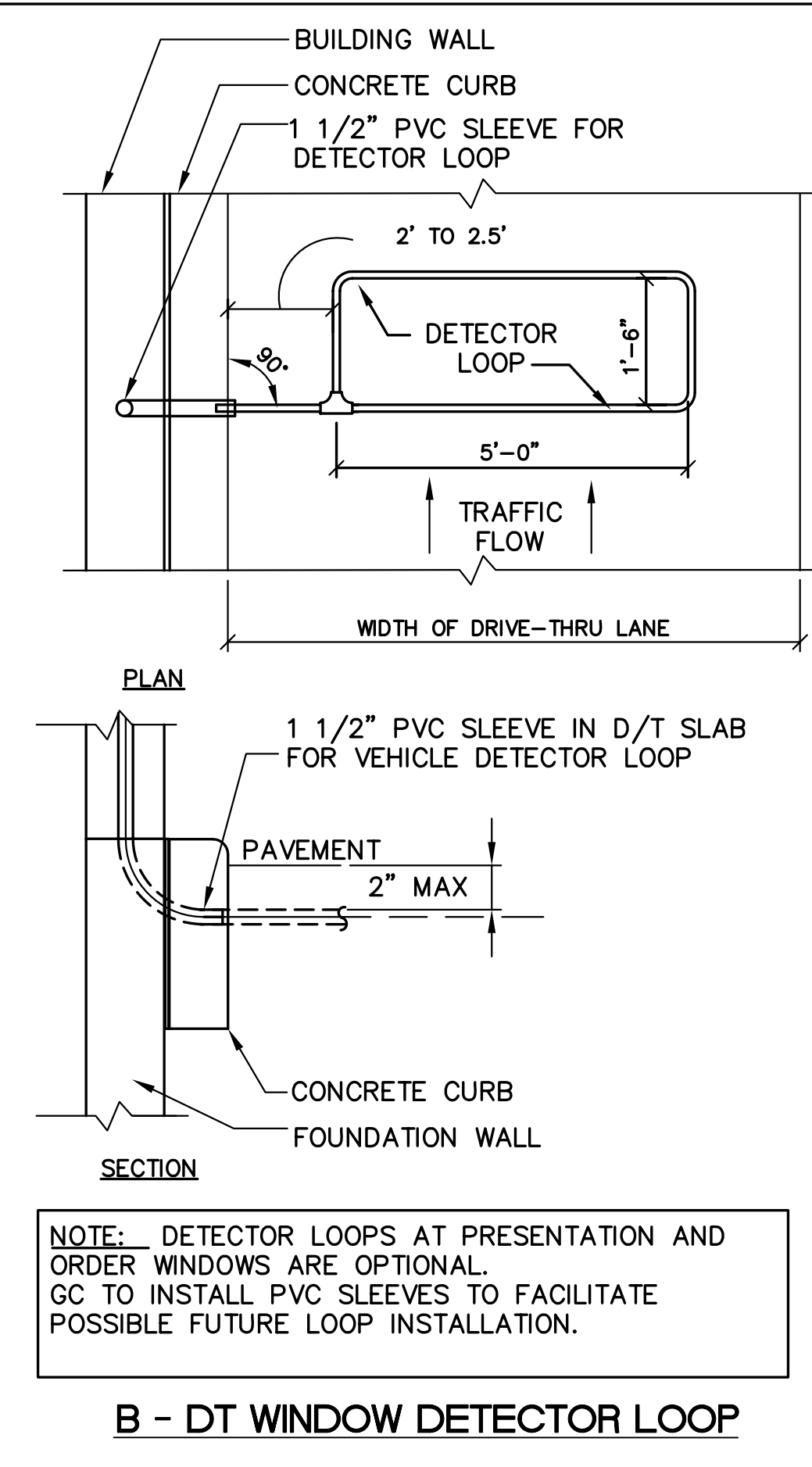
NOTE: ALL TEXT SHALL BE PAINTED YELLOW.

3 PAINTED "THANK-YOU" DETAIL



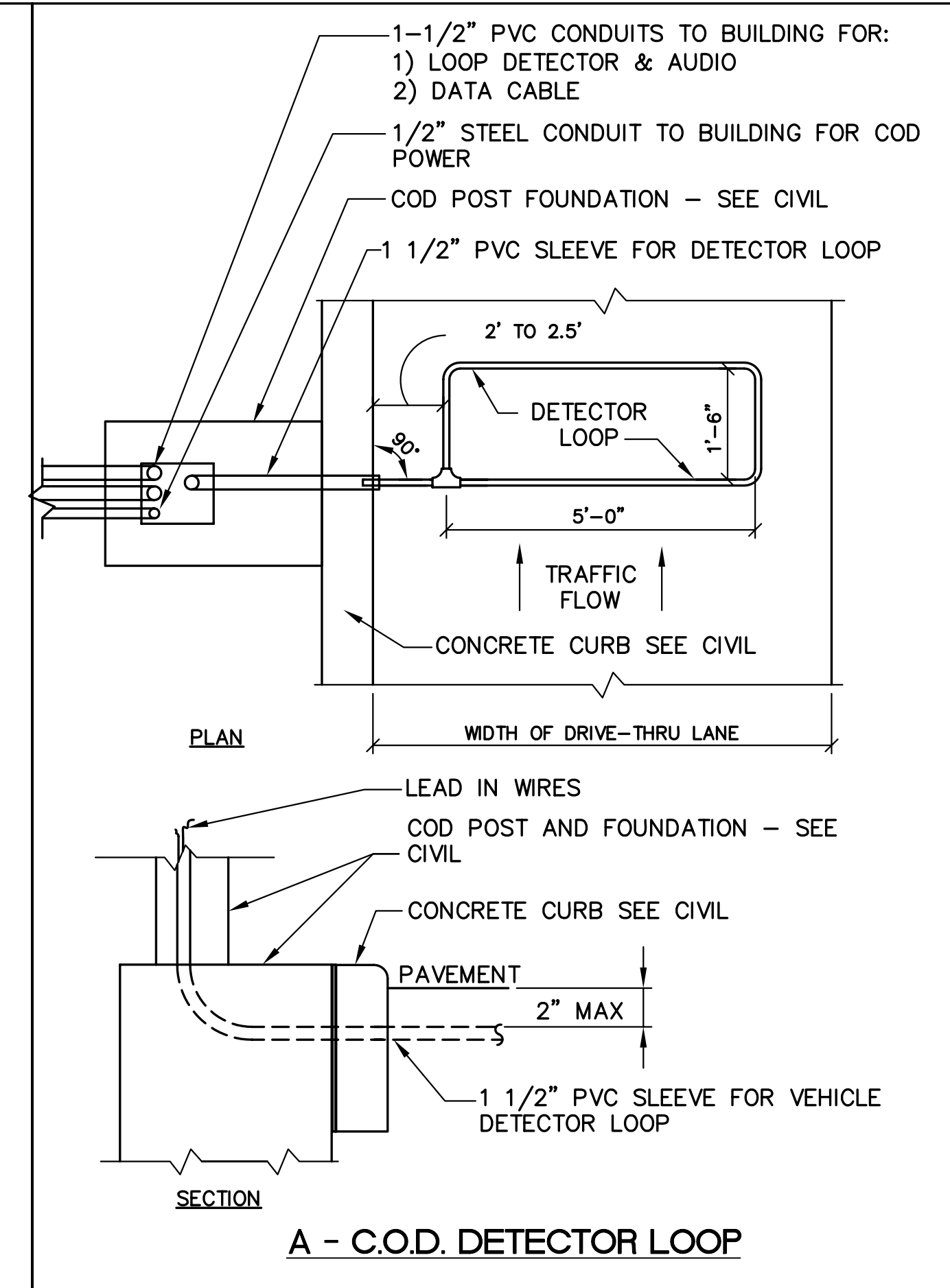
* FOR DIMENSIONS OF DRIVE-THRU LANE CONCRETE PAD, SEE C-2 SHEET FOR SPECIFICATIONS.

5 DRIVE-THRU CONCRETE PAD DETAIL



NOTE: DETECTOR LOOPS AT PRESENTATION AND ORDER WINDOWS ARE OPTIONAL. GC TO INSTALL PVC SLEEVES TO FACILITATE POSSIBLE FUTURE LOOP INSTALLATION.

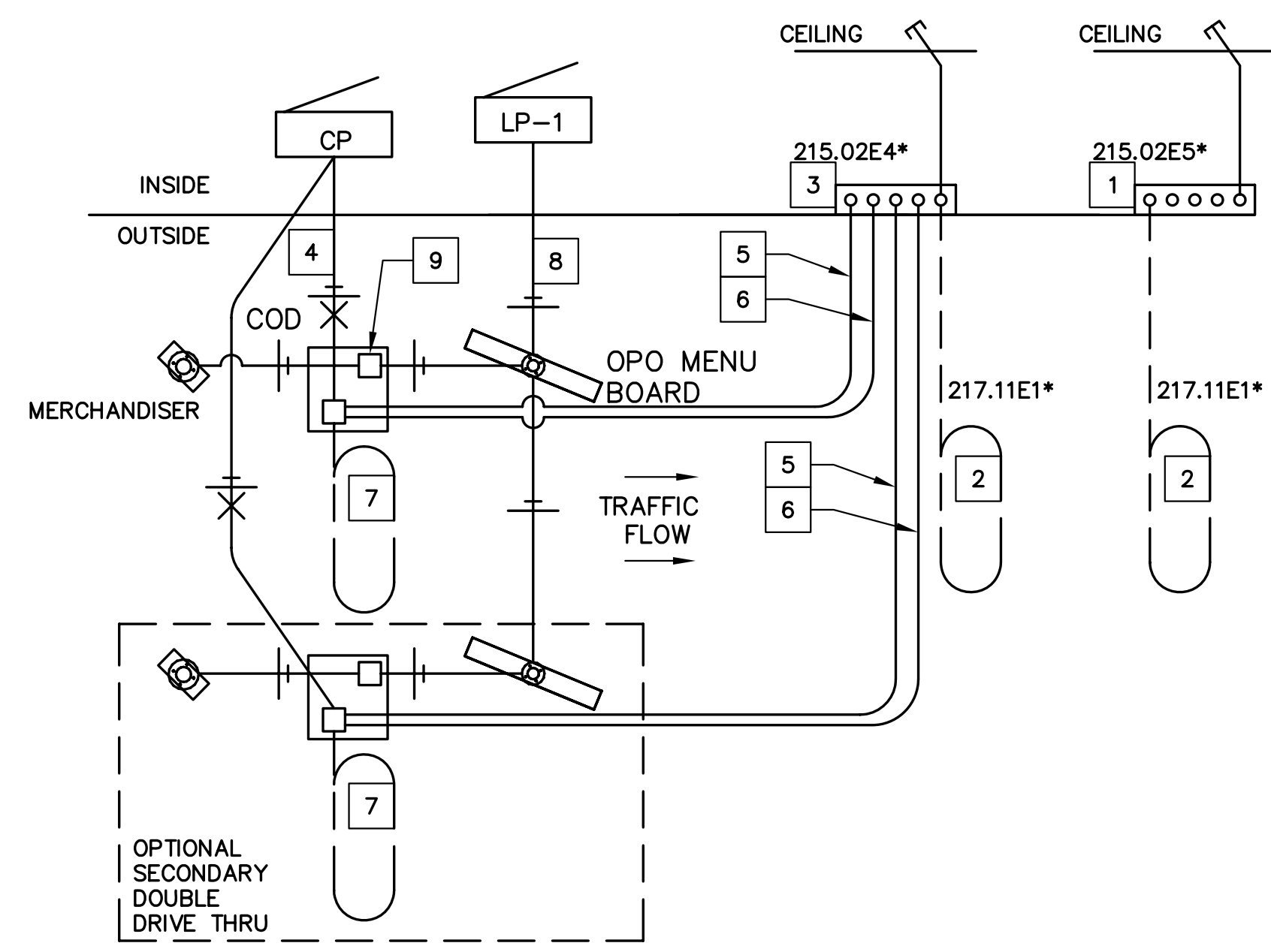
B - DT WINDOW DETECTOR LOOP



A - C.O.D. DETECTOR LOOP

- NOTES**
- VERIFY CONDUIT SIZES AND LAYOUT WITH DETECTOR LOOP MANUFACTURER.
 - CENTER VEHICLE DETECTOR LOOP (ITEM # 217.11E1) IN DRIVE THRU LANE. INSTALL PER MFR. RECOMMENDATIONS.
 - SEE CIVIL FOR DIMENSIONS OF DRIVE-THRU LANE CONCRETE PAD FOR DETECTOR LOOP.
 - NO STEEL (REBAR OR ELECTRICAL WIRE) SHALL BE USED WITHIN 2' OF LOOP.
 - DETECTOR LOOP MANUFACTURERS:** DETECTOR LOOPS MAY BE BY ONE OF THE FOLLOWINGS COMPANIES OR EQUAL.
3M: 1-800-328-0033
HME: 1-800-848-4468
 - DETECTOR LOOP MATERIAL:** PVC TUBING 1/2" I.D. 100 PSI LOOP MADE FROM ONE LENGTH OF THIN FOURTEEN GAUGE STRANDED WIRE. LEAD-IN IS PRE-TWISTED AT FACTORY.
 - DETECTOR LOOP CONSTRUCTION:** FORMED WITH ONE CONTINUOUS LENGTH OF PVC WITH NO SHARP CORNERS AS DETAILED. WIRE LOOPED, FORMED, & PIGTAILED AS DETAILED.

4 DETECTOR LOOP DETAILS
NOT TO SCALE



6 DRIVE THRU SITE WIRING
(COD AND SPEAKER POST)

- KEY NOTES**
- ELECTRICAL EQUIPMENT ITEM 215.02E5* IN PRESENTATION BOOTH. PROVIDE 2" HOLE & GROMMET IN JUNCTION BOX COVER PLATE FOR POS DATA CABLES. PROVIDE 2 1/2"C ABOVE CEILING.
 - OPTIONAL DRIVE-THRU WINDOW DETECTOR LOOP FOR ORDER & PRESENTATION WINDOWS - SEE 4B/DT1.0. GC TO INSTALL PVC SLEEVES TO FACILITATE POSSIBLE FUTURE LOOP INSTALLATION.
 - ELECTRICAL EQUIPMENT ITEM #215.02E4 IN ORDER/CASH BOOTH. PROVIDE 2" HOLE & GROMMET IN JUNCTION BOX COVER PLATE FOR POS DATA CABLES. PROVIDE 2 1/2"C ABOVE CEILING.
 - PROVIDE STEEL CONDUIT AND CONDUCTOR PER POS & COD ISOLATED GROUND/DEDICATED CIRCUIT DETAIL. 1/2"C-2#12 & 1#12 GROUND & 1 #12 ISOLATED GROUND. PROVIDE 1 CB PER COD.
 - 1 1/2" PVC CONDUIT FOR REMOTE LOOP DETECTOR & COD AUDIO CABLES. EC TO PROVIDE 3 PULL STRINGS INSIDE CONDUIT.
 - 1 1/2"C FOR COD DATA CABLES. EC TO PROVIDE 3 PULL STRINGS INSIDE CONDUIT.
 - CONDUIT FOR COD LOOP DETECTOR, ELECTRICAL EQUIPMENT ITEM 217.11E1* - SEE 4A/DT1.0.
 - 1/2"C-2#12, POWER FOR MENU BOARD ILLUMINATION.
 - "ORDER HERE" CANOPY LIGHTS.
- SEE ELECTRICAL EQUIPMENT SCHEDULE FOR NOTES ON NUMBERED ELECTRICAL EQUIPMENT.
 - CONTRACTOR TO FOLLOW ALL LATEST ELECTRICAL AND BUILDING CODES PER MUNICIPALITIES.

DRIVE-THRU DETAILS

DATE: 04/29/13
 REVISIONS: NO REVISIONS
 NO. 1
 Prepared For:
 Lingie Design Group
 158 W. Main Street
 Lena, IL 61048
 McDonald's - ST. CHARLES, IL
 3900 E. Main Street
 St. Charles, Illinois
 Prepared By:
 Watermark Engineering Resources, Ltd
 2637 Ginger Woods Parkway, Suite 100, Aurora, IL 60502
 phone 630-375-1800 fax 630-236-9600 www.watermark-engineering.com
 CHECKED BY: J. MILLER
 DESIGN BY: M. BAILEY
 DRAWN BY: D. OLSON
 DATE: MARCH 22, 2013
 SCALE: NONE
 PROJECT NO.: 05-100.01
DT-3
 LC #12-1700
DRIVE-THRU DETAILS

Drive-Thru Twin Pole Canopy w/ Built-In COD (Preferred)

Everbrite
Illumination: 4 - F70T12 CW/HQ
Electrical: 15 Amp 120 Volt
Ballast: Fulham Workhorse 7
Ship Weight: 1300 lbs.
Other:
• Available with LED or LCD Coding
• Spring loaded swing away if clearance sign
• Illuminated awning provides a customer safe environment at night and protection from inclement weather

Everbrite, LLC, 315 Marion Ave., South Milwaukee, WI, 53172 P: 888-857-4078 F: 877-430-7363 www.everbrite.com

1 DT-4 DRIVE-THRU TWIN POLE CANOPY W/BUILT-IN COD

GENERAL NOTES

THE FOLLOWING CODES WERE USED IN DESIGN:
- IBC 2009
- ASCE 7-10
- ACI 308-11R
- ACI 309-10
- ACI 308.1R-10
- ACI 308.2R-10
- ACI 308.3R-10
- ACI 308.4R-10
- ACI 308.5R-10
- ACI 308.6R-10
- ACI 308.7R-10
- ACI 308.8R-10
- ACI 308.9R-10
- ACI 308.10R-10
- ACI 308.11R-10
- ACI 308.12R-10
- ACI 308.13R-10
- ACI 308.14R-10
- ACI 308.15R-10
- ACI 308.16R-10
- ACI 308.17R-10
- ACI 308.18R-10
- ACI 308.19R-10
- ACI 308.20R-10
- ACI 308.21R-10
- ACI 308.22R-10
- ACI 308.23R-10
- ACI 308.24R-10
- ACI 308.25R-10
- ACI 308.26R-10
- ACI 308.27R-10
- ACI 308.28R-10
- ACI 308.29R-10
- ACI 308.30R-10
- ACI 308.31R-10
- ACI 308.32R-10
- ACI 308.33R-10
- ACI 308.34R-10
- ACI 308.35R-10
- ACI 308.36R-10
- ACI 308.37R-10
- ACI 308.38R-10
- ACI 308.39R-10
- ACI 308.40R-10
- ACI 308.41R-10
- ACI 308.42R-10
- ACI 308.43R-10
- ACI 308.44R-10
- ACI 308.45R-10
- ACI 308.46R-10
- ACI 308.47R-10
- ACI 308.48R-10
- ACI 308.49R-10
- ACI 308.50R-10
- ACI 308.51R-10
- ACI 308.52R-10
- ACI 308.53R-10
- ACI 308.54R-10
- ACI 308.55R-10
- ACI 308.56R-10
- ACI 308.57R-10
- ACI 308.58R-10
- ACI 308.59R-10
- ACI 308.60R-10
- ACI 308.61R-10
- ACI 308.62R-10
- ACI 308.63R-10
- ACI 308.64R-10
- ACI 308.65R-10
- ACI 308.66R-10
- ACI 308.67R-10
- ACI 308.68R-10
- ACI 308.69R-10
- ACI 308.70R-10
- ACI 308.71R-10
- ACI 308.72R-10
- ACI 308.73R-10
- ACI 308.74R-10
- ACI 308.75R-10
- ACI 308.76R-10
- ACI 308.77R-10
- ACI 308.78R-10
- ACI 308.79R-10
- ACI 308.80R-10
- ACI 308.81R-10
- ACI 308.82R-10
- ACI 308.83R-10
- ACI 308.84R-10
- ACI 308.85R-10
- ACI 308.86R-10
- ACI 308.87R-10
- ACI 308.88R-10
- ACI 308.89R-10
- ACI 308.90R-10
- ACI 308.91R-10
- ACI 308.92R-10
- ACI 308.93R-10
- ACI 308.94R-10
- ACI 308.95R-10
- ACI 308.96R-10
- ACI 308.97R-10
- ACI 308.98R-10
- ACI 308.99R-10
- ACI 309.0R-10

ANCHOR BOLT PATTERN

CONNECTION DETAILS

A ORDER HERE CANOPY 100 MPH

OPO Outdoor Menu Board

Everbrite
Illumination: LED
Electrical: First Circuit: 120V/160, 15 amp
Second Circuit: 120V/160, 15 amp
Ship Weight: 1313 lbs.
Other:
• Please call MS for graphics, 800-937-7871
• Triangular design for increased graphic impact
• Available in an manual or automated version
• Automated version must be ordered directly from Florida Plastics.

Everbrite, LLC, 315 Marion Ave., South Milwaukee, WI, 53172 P: 888-857-4078 F: 877-430-7363 www.everbrite.com

2 DT-4 OPO MENU BOARD ELEVATIONS

GENERAL NOTES

THE FOLLOWING CODES WERE USED IN DESIGN:
- IBC 2009
- ASCE 7-10
- ACI 308-11R
- ACI 309-10
- ACI 308.1R-10
- ACI 308.2R-10
- ACI 308.3R-10
- ACI 308.4R-10
- ACI 308.5R-10
- ACI 308.6R-10
- ACI 308.7R-10
- ACI 308.8R-10
- ACI 308.9R-10
- ACI 308.10R-10
- ACI 308.11R-10
- ACI 308.12R-10
- ACI 308.13R-10
- ACI 308.14R-10
- ACI 308.15R-10
- ACI 308.16R-10
- ACI 308.17R-10
- ACI 308.18R-10
- ACI 308.19R-10
- ACI 308.20R-10
- ACI 308.21R-10
- ACI 308.22R-10
- ACI 308.23R-10
- ACI 308.24R-10
- ACI 308.25R-10
- ACI 308.26R-10
- ACI 308.27R-10
- ACI 308.28R-10
- ACI 308.29R-10
- ACI 308.30R-10
- ACI 308.31R-10
- ACI 308.32R-10
- ACI 308.33R-10
- ACI 308.34R-10
- ACI 308.35R-10
- ACI 308.36R-10
- ACI 308.37R-10
- ACI 308.38R-10
- ACI 308.39R-10
- ACI 308.40R-10
- ACI 308.41R-10
- ACI 308.42R-10
- ACI 308.43R-10
- ACI 308.44R-10
- ACI 308.45R-10
- ACI 308.46R-10
- ACI 308.47R-10
- ACI 308.48R-10
- ACI 308.49R-10
- ACI 308.50R-10
- ACI 308.51R-10
- ACI 308.52R-10
- ACI 308.53R-10
- ACI 308.54R-10
- ACI 308.55R-10
- ACI 308.56R-10
- ACI 308.57R-10
- ACI 308.58R-10
- ACI 308.59R-10
- ACI 308.60R-10
- ACI 308.61R-10
- ACI 308.62R-10
- ACI 308.63R-10
- ACI 308.64R-10
- ACI 308.65R-10
- ACI 308.66R-10
- ACI 308.67R-10
- ACI 308.68R-10
- ACI 308.69R-10
- ACI 308.70R-10
- ACI 308.71R-10
- ACI 308.72R-10
- ACI 308.73R-10
- ACI 308.74R-10
- ACI 308.75R-10
- ACI 308.76R-10
- ACI 308.77R-10
- ACI 308.78R-10
- ACI 308.79R-10
- ACI 308.80R-10
- ACI 308.81R-10
- ACI 308.82R-10
- ACI 308.83R-10
- ACI 308.84R-10
- ACI 308.85R-10
- ACI 308.86R-10
- ACI 308.87R-10
- ACI 308.88R-10
- ACI 308.89R-10
- ACI 308.90R-10
- ACI 308.91R-10
- ACI 308.92R-10
- ACI 308.93R-10
- ACI 308.94R-10
- ACI 308.95R-10
- ACI 308.96R-10
- ACI 308.97R-10
- ACI 308.98R-10
- ACI 308.99R-10
- ACI 309.0R-10

ANCHOR BOLT PATTERN

CONNECTION DETAILS

A FOUNDATION

Welcome Point Gateway

Everbrite
Illumination: N/A
Ship Weight: 790 lbs.
Other:
• Non-illuminated clearance sign with spring loaded break away clearance sign
• Adjustable baring bar

Everbrite, LLC, 315 Marion Ave., South Milwaukee, WI, 53172 P: 888-857-4078 F: 877-430-7363 www.everbrite.com

3 DT-4 SINGLE WELCOME POINT GATEWAY

GEN. NOTES

THE FOLLOWING CODES WERE USED IN DESIGN:
- IBC 2009
- ASCE 7-10
- ACI 308-11R
- ACI 309-10
- ACI 308.1R-10
- ACI 308.2R-10
- ACI 308.3R-10
- ACI 308.4R-10
- ACI 308.5R-10
- ACI 308.6R-10
- ACI 308.7R-10
- ACI 308.8R-10
- ACI 308.9R-10
- ACI 308.10R-10
- ACI 308.11R-10
- ACI 308.12R-10
- ACI 308.13R-10
- ACI 308.14R-10
- ACI 308.15R-10
- ACI 308.16R-10
- ACI 308.17R-10
- ACI 308.18R-10
- ACI 308.19R-10
- ACI 308.20R-10
- ACI 308.21R-10
- ACI 308.22R-10
- ACI 308.23R-10
- ACI 308.24R-10
- ACI 308.25R-10
- ACI 308.26R-10
- ACI 308.27R-10
- ACI 308.28R-10
- ACI 308.29R-10
- ACI 308.30R-10
- ACI 308.31R-10
- ACI 308.32R-10
- ACI 308.33R-10
- ACI 308.34R-10
- ACI 308.35R-10
- ACI 308.36R-10
- ACI 308.37R-10
- ACI 308.38R-10
- ACI 308.39R-10
- ACI 308.40R-10
- ACI 308.41R-10
- ACI 308.42R-10
- ACI 308.43R-10
- ACI 308.44R-10
- ACI 308.45R-10
- ACI 308.46R-10
- ACI 308.47R-10
- ACI 308.48R-10
- ACI 308.49R-10
- ACI 308.50R-10
- ACI 308.51R-10
- ACI 308.52R-10
- ACI 308.53R-10
- ACI 308.54R-10
- ACI 308.55R-10
- ACI 308.56R-10
- ACI 308.57R-10
- ACI 308.58R-10
- ACI 308.59R-10
- ACI 308.60R-10
- ACI 308.61R-10
- ACI 308.62R-10
- ACI 308.63R-10
- ACI 308.64R-10
- ACI 308.65R-10
- ACI 308.66R-10
- ACI 308.67R-10
- ACI 308.68R-10
- ACI 308.69R-10
- ACI 308.70R-10
- ACI 308.71R-10
- ACI 308.72R-10
- ACI 308.73R-10
- ACI 308.74R-10
- ACI 308.75R-10
- ACI 308.76R-10
- ACI 308.77R-10
- ACI 308.78R-10
- ACI 308.79R-10
- ACI 308.80R-10
- ACI 308.81R-10
- ACI 308.82R-10
- ACI 308.83R-10
- ACI 308.84R-10
- ACI 308.85R-10
- ACI 308.86R-10
- ACI 308.87R-10
- ACI 308.88R-10
- ACI 308.89R-10
- ACI 308.90R-10
- ACI 308.91R-10
- ACI 308.92R-10
- ACI 308.93R-10
- ACI 308.94R-10
- ACI 308.95R-10
- ACI 308.96R-10
- ACI 308.97R-10
- ACI 308.98R-10
- ACI 308.99R-10
- ACI 309.0R-10

ANCHOR BOLT PATTERN

CONNECTION DETAILS

A CLEARANCE GATEWAY 100 MPH

OPO Pre-Sell Board

Everbrite
Illumination: LED
Electrical: First Circuit: 120V/160, 15 amp
Second Circuit: 120V/160, 15 amp
Ship Weight: 243 lbs.
Other:
• Please call MS for graphics, 800-937-7871
• Triangular design for increased graphic impact
• Available in an manual or automated version
• Automated version must be ordered directly from Florida Plastics.
• Optional 2-column pre-sell

Everbrite, LLC, 315 Marion Ave., South Milwaukee, WI, 53172 P: 888-857-4078 F: 877-430-7363 www.everbrite.com

4 DT-4 OPO PREVIEW BOARD

DETAILS

DETAIL *1* (OFF-4 LANE 1)
DETAIL *2* (OFF-4 LANE 2)
DETAIL *3* (OFF-1)
DETAIL *4* (FEATURE)
DETAIL *5* (TYPICAL RISER)
DETAIL *6* (CONTROL FEED RISER)

FLORIDA PLASTICS INTERNATIONAL, INC.
14 RELEASED FOR PRODUCTION
REV. 10/10
REV. 09/10
REV. 08/10
REV. 07/10
REV. 06/10
REV. 05/10
REV. 04/10
REV. 03/10
REV. 02/10
REV. 01/10
REV. 12/09
REV. 11/09
REV. 10/09
REV. 09/09
REV. 08/09
REV. 07/09
REV. 06/09
REV. 05/09
REV. 04/09
REV. 03/09
REV. 02/09
REV. 01/09
REV. 12/08
REV. 11/08
REV. 10/08
REV. 09/08
REV. 08/08
REV. 07/08
REV. 06/08
REV. 05/08
REV. 04/08
REV. 03/08
REV. 02/08
REV. 01/08
REV. 12/07
REV. 11/07
REV. 10/07
REV. 09/07
REV. 08/07
REV. 07/07
REV. 06/07
REV. 05/07
REV. 04/07
REV. 03/07
REV. 02/07
REV. 01/07
REV. 12/06
REV. 11/06
REV. 10/06
REV. 09/06
REV. 08/06
REV. 07/06
REV. 06/06
REV. 05/06
REV. 04/06
REV. 03/06
REV. 02/06
REV. 01/06
REV. 12/05
REV. 11/05
REV. 10/05
REV. 09/05
REV. 08/05
REV. 07/05
REV. 06/05
REV. 05/05
REV. 04/05
REV. 03/05
REV. 02/05
REV. 01/05
REV. 12/04
REV. 11/04
REV. 10/04
REV. 09/04
REV. 08/04
REV. 07/04
REV. 06/04
REV. 05/04
REV. 04/04
REV. 03/04
REV. 02/04
REV. 01/04
REV. 12/03
REV. 11/03
REV. 10/03
REV. 09/03
REV. 08/03
REV. 07/03
REV. 06/03
REV. 05/03
REV. 04/03
REV. 03/03
REV. 02/03
REV. 01/03
REV. 12/02
REV. 11/02
REV. 10/02
REV. 09/02
REV. 08/02
REV. 07/02
REV. 06/02
REV. 05/02
REV. 04/02
REV. 03/02
REV. 02/02
REV. 01/02
REV. 12/01
REV. 11/01
REV. 10/01
REV. 09/01
REV. 08/01
REV. 07/01
REV. 06/01
REV. 05/01
REV. 04/01
REV. 03/01
REV. 02/01
REV. 01/01
REV. 12/00
REV. 11/00
REV. 10/00
REV. 09/00
REV. 08/00
REV. 07/00
REV. 06/00
REV. 05/00
REV. 04/00
REV. 03/00
REV. 02/00
REV. 01/00

Bollard

Everbrite
Illumination: N/A
Ship Weight: 26 lbs.
Other:
• PMS 109 yellow reflective message panel with black decal graphics/letters
• Two mounting systems available; direct burial or anchor bolt.

Everbrite, LLC, 315 Marion Ave., South Milwaukee, WI, 53172 P: 888-857-4078 F: 877-430-7363 www.everbrite.com

5 DT-4 BOLLARD DETAIL

Pull Forward Sign

Everbrite
Illumination: N/A
Face Details:
• Pigmented ABS panel to match PMS 425C with matte finish screened white
• Reserved Drive-Thru copy, yellow reflective vinyl circles

Everbrite, LLC, 315 Marion Ave., South Milwaukee, WI, 53172 P: 888-857-4078 F: 877-430-7363 www.everbrite.com

6 DT-4 PULL FORWARD BOLLARD SIGN DETAIL

SINGLE POLE CANOPY W/INTEGRATED MENU BOARD

Everbrite
Illumination: LED
Electrical: First Circuit: 120V/160, 15 amp
Second Circuit: 120V/160, 15 amp
Ship Weight: 1313 lbs.
Other:
• Please call MS for graphics, 800-937-7871
• Triangular design for increased graphic impact
• Available in an manual or automated version
• Automated version must be ordered directly from Florida Plastics.

Everbrite, LLC, 315 Marion Ave., South Milwaukee, WI, 53172 P: 888-857-4078 F: 877-430-7363 www.everbrite.com

7 DT-4 SINGLE POLE CANOPY W/INTEGRATED MENU BOARD

DRIVE-THRU DETAILS

DT-4
LC #12-1700

DATE: 04/29/13
PER CITY REVIEW LETTER DATED 04.04.13
REVISIONS:
NO. 1
Prepared For:
Ingile Design Group
158 W. Main Street
Lena, IL 61048
McDONALD'S - ST. CHARLES, IL
3900 E. Main Street
St. Charles, Illinois
Prepared By:
Watermark Engineering Resources, Ltd.
2631 Ginger Woods Parkway, Suite 100, Aurora, IL 60502
phone 630-575-1800 fax 630-238-3600 www.watermark-engineering.com
CHECKED BY: J. MILLER
DESIGN BY: M. BAILEY
DRAWN BY: D. OLSON
DATE: MARCH 22, 2013
SCALE: NONE
PROJECT NO.: 05-100.01
DRIVE-THRU DETAILS